

## 18xx EnOcean Switches

The 18xx wireless switch modules are EnOcean-compatible and allow wireless control of a DALI system.

The switches communicate with the lighting network via a 434 EnOcean Gateway, which supports up to 20 EnOcean switch panels.

The switches are batteryless, thanks to energy harvesting technology, and are maintenance-free. Energy is generated by pressing the EnOcean button, and a radio signal is sent to the Gateway. Similarly, a radio signal is sent when the button is released, allowing for dimmer and blinds control.

The EnOcean switches are fully programmable in Designer or Toolbox software.

### Key Features

- Choice of single or dual rocker, and black (B) or white (W) panels.
- Self-power: batteryless and wireless
- EnOcean RF technology
- Easy installation:
  - double-sided mounting film (included)
  - screwed onto flat surfaces
  - back box



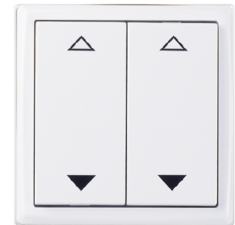
181W



182B



183B



184W

### Product Order Codes

Stainless steel frame

Single Rocker Switch: 181B (black) / 181W (white)

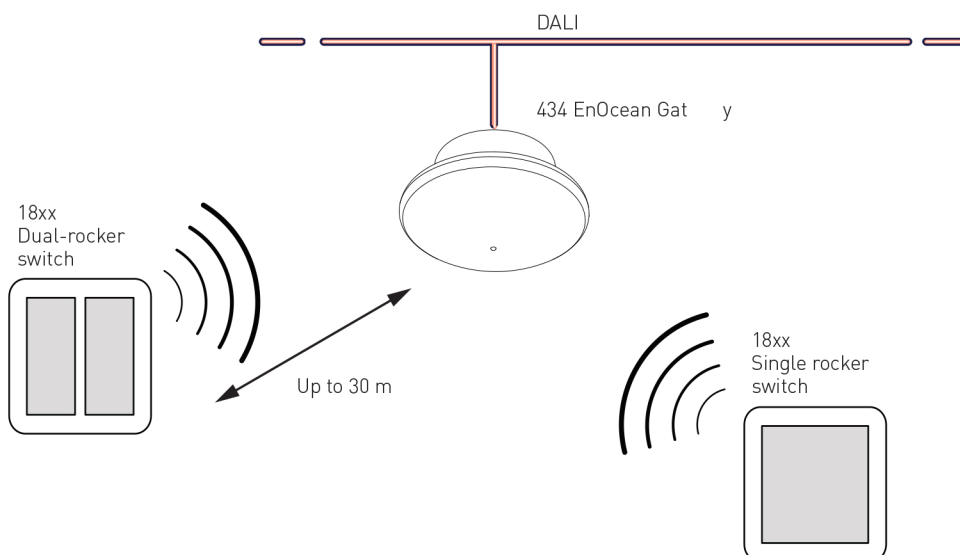
Dual Rocker Switch: 182B (black) / 182W (white)

Plastic frame

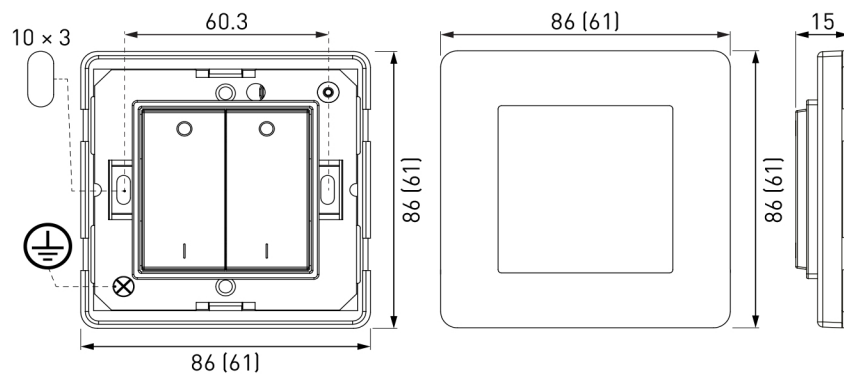
Single Rocker Switch: 183B (black) / 183W (white)

Dual Rocker Switch: 184B (black) / 184W (white)

### Connections



## Dimensions (mm)



181x; 182x; (183x; 184x)

## Technical Data

Connections	
Wiring:	No wiring (power or communications) is required.

Electrical data	
Signal power is generated by pressing the EnOcean button.	

Operation	
Operating frequency:	868 MHz ISM band (Europe)
Range:	30 m (unobstructed space)
Max. No. of switch panels per gateway:	20

Operating and storage conditions	
Ambient temperature:	0 °C to +50 °C
Relative humidity:	Max. 90 %, noncondensing (dry environment only)
Storage temperature:	-10 °C to +70 °C

Mechanical data	
Dimensions:	86 mm × 86 mm × 15 mm
Weight:	150 g
Switch colour:	18xW: white 18xB: black
Material:	Switch rockers: plastic Frame: Stainless steel (181 & 182) Plastic (183 & 184)
Mounting:	Mount to back box, or mount on glass or flat surface.
IP rating:	IP30

Conformity and standards	
Conformity:	
Safety:	EN 62368-1
RED:	EN 301489-3, EN 300220-2
Wireless protocol:	ISO/IEC 14543-3-10
Environment:	Complies with WEEE and RoHS directives.