

19xxx & 290x ILLUSTRIS Panels

ILLUSTRIS® is a contemporary user interface with advanced lighting control features. Its sleek design incorporates touch-sensitive technology to provide an intuitive and familiar user experience. Integrated Bluetooth® connectivity expands the control possibilities to smartphones and tablets via the SceneSet® app for iOS and Android.

The panel range allows for easy-to-use control of lighting control systems and DALI Type 8 colour devices. They provide out-of-the-box ability to modify, store and recall intensity, colour temperature or colour scenes (CT and x-y). They can also be integrated into DIGIDIM or Imagine systems.

Designed for easy installation, the ILLUSTRIS panels consist of two parts, which are shipped separately: a DALI Interface (290x) and a Front Fascia (19xxx).

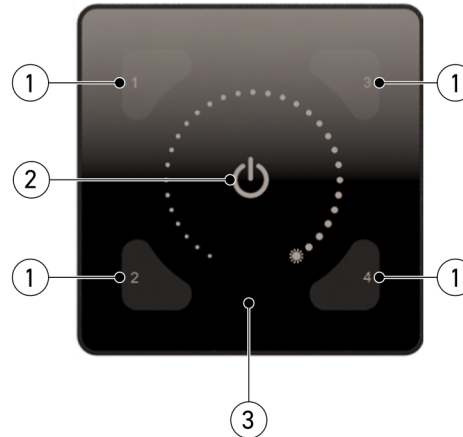
The ILLUSTRIS DALI Interface can be installed and used to operate the lighting without the Front Fascia either from the SceneSet app or from a touch-sensitive area*. A decorator's cover protects it during the final stages of a building project, before the Front Fascia is attached.

Key Features

- Standalone controller and user interface.
- Networkable on DIGIDIM or Imagine router systems.
- Minimal setup / Out-of-box operation.
- Capable of creating, storing and recalling four lighting scenes.
- Capable of creating, storing and recalling four lighting scenes.
- Fully DALI-compatible.
- Supports DALI Type 8 colour temperature and x-y colour presentation.
- Available in a variety of front fascias for different controls, including customised versions.
- Glass and plastic front fascia finishes.
- App control via SceneSet mobile app (iOS and Android).
- Designed to fit UK, DIN and similar back boxes.
- Detergent and moisture tolerant, protection up to IP44 class for environments requiring high cleanliness.

Common controls (all panels)

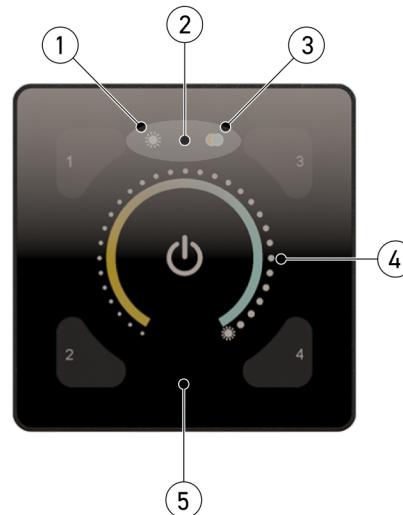
191PB



1. Scene recall buttons
2. Last level / Off button
3. Hidden 'cleaning' button

Colour temperature panels (192xx)

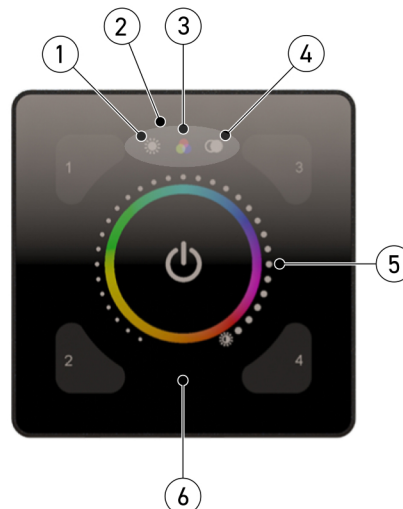
192PB



1. Intensity mode indicator
2. Mode selector
3. Colour temperature mode indicator
4. Intensity / Colour temperature horseshoe control (depending on selected mode)
5. Colour-temperature tell-back LED

Colour panels (193xx)

193PB



1. Intensity mode indicator
2. Hue mode indicator
3. Mode selector
4. Saturation mode indicator
5. Intensity and saturation horseshoe control / Hue (colour) control circle (depending on selected mode)
6. Colour tell-back LED

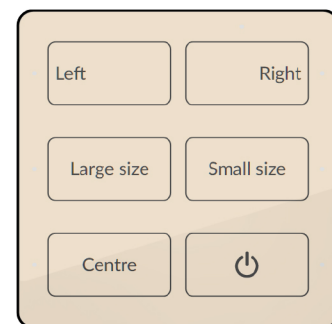
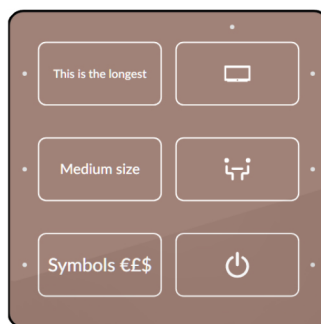
ILLUSTRIS Custom panels

You can customise the ILLUSTRIS front fascias to support your project requirements in a lighting router system.

Choose from:

- 18 different panel layouts
- 23 RAL background colours
- Black or white bezels
- Glass or plastic materials
- Label buttons with text or in-built icons
- Selectable button text size and justification settings

For customisation support, contact your local sales representative.

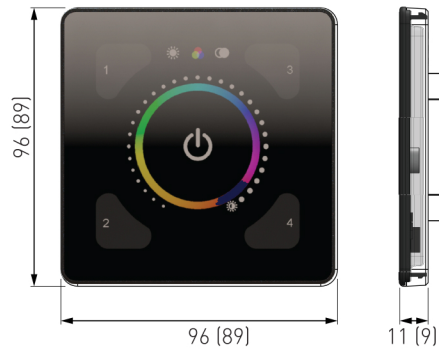


Models and Finishes

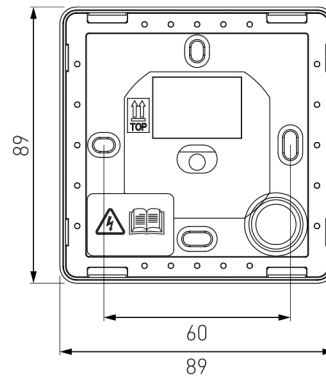
Description	Functions	Material	Colour	Order code
Scene control Front Fascia	Four scenes, off/last level and intensity control	Glass	Black	191HB
Scene control Front Fascia	Four scenes, off/last level and intensity control	Glass	White	191HW
Scene control Front Fascia	Four scenes, off/last level and intensity control	Plastic	Black	191PB
Scene control Front Fascia	Four scenes, off/last level and intensity control	Plastic	White	191PW
Colour temperature control Front Fascia	Four scenes, off/last level and intensity/colour temperature control	Glass	Black	192HB
Colour temperature control Front Fascia	Four scenes, off/last level and intensity/colour temperature control	Glass	White	192HW
Colour temperature control Front Fascia	Four scenes, off/last level and intensity/colour temperature control	Plastic	Black	192PB
Colour temperature control Front Fascia	Four scenes, off/last level and intensity/colour temperature control	Plastic	White	192PW
Full colour control Front Fascia	Four scenes, off/last level, and intensity/hue/ saturation control	Glass	Black	193HB
Full colour control Front Fascia	Four scenes, off/last level, and intensity/hue/ saturation control	Glass	White	193HW
Full colour control Front Fascia	Four scenes, off/last level, and intensity/hue/ saturation control	Plastic	Black	193PB
Full colour control Front Fascia	Four scenes, off/last level, and intensity/hue/ saturation control	Plastic	White	193PW
ILLUSTRIS DALI Interface	On/off, Bluetooth® connectivity	Plastic	Black	290B
ILLUSTRIS DALI Interface	On/off, Bluetooth® connectivity	Plastic	White	290W
Custom Front Fascia from palette of 18 layouts	Custom scenes, off/last level, and intensity/hue/ saturation/ colour-temperature control, custom icons and labelling	Glass	Custom from palette of 24 colours	2XXHL
Custom Front Fascia from palette of 18 layouts	Custom scenes, off/last level, and intensity/hue/ saturation/ colour-temperature control, custom icons and labelling	Plastic	Custom from palette of 24 colours	2XXPL
Optional extras				
Silicone gasket for H model	Provides IP44 protection class	Silicone rubber	White	ISBW
Silicone gasket for H model	Provides IP44 protection class	Silicone rubber	Black	ISBB
Silicone gasket for H model	Provides IP44 protection class	Silicone rubber	Clear	ISBC
Metal plate for H model	Provides support for silicone gasket.	Galvanised steel	N / A	N / A

Dimensions (mm)

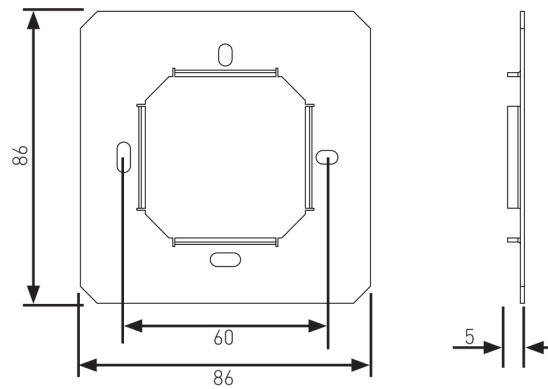
19xHx + 290x (19xPx + 290x)



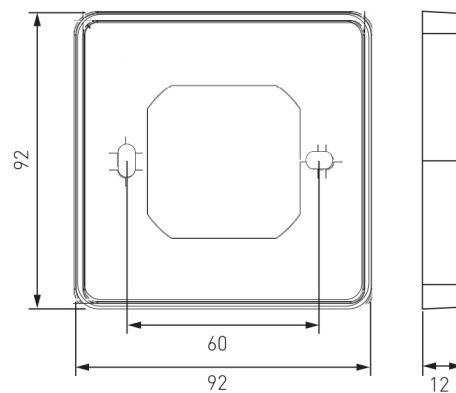
290x



Metal plate



ISBx



Technical Data

Connections	
DALI:	Push-fit terminals. Wire section: 0.5 mm ² – 1.5 mm ² solid or stranded.
Cable rating:	All cables must be mains rated.

Electrical data	
DALI supply input:	9.5 V – 22.5 V
DALI consumption:	Typical: 22 mA @ 16 V Maximum: 40 mA @ 9.5 V

Radio operation	
Wireless connectivity:	Bluetooth® Smart™

Operating and storage conditions	
Ambient temperature:	0 °C to +50 °C
Relative humidity:	Max. 90 %, noncondensing
Storage temperature:	-10 °C to +70 °C

Software compatibility	
Designer:	5.3.0 or later for standard panels 5.4.3 for custom panels

Mechanical data	
Dimensions:	19xHx: 96 mm × 96 mm 19xPx: 89 mm × 89 mm 290x: 89 mm × 89 mm
Weight:	19xHx: 150 g 19xPx: 90 g 290x: 50 g
Material:	19xHx: Glass 19xPx: Acrylic (PMMA) 290x: Flame-retardant PC/ABS
IP rating:	IP30 IP44 with ISBW/ISBB silicone gasket with 19xHx types fascia.

Conformity and standards	
Conformity:	
DALI:	IEC 62386 (Part 209: CT and x-y control only)
EMC:	EN 55015, EN 61547
RED:	EN 300328, EN 301489-17
Safety:	EN 60669-2-1
FCC:	Contains FCC ID: WAP2005.
Environment:	Complies with WEEE and RoHS directives.