

19xxx & 290x ILLUSTRIS Panels

ILLUSTRIS® is a contemporary user interface with advanced lighting control features. Its sleek design incorporates touch-sensitive technology to provide an intuitive and familiar user experience. Integrated Bluetooth® connectivity expands the control possibilities to smartphones and tablets via the SceneSet® app for iOS and Android.

The panel range allows for easy-to-use control of lighting control systems and DALI Type 8 colour devices. They provide out-of-the-box ability to modify, store and recall intensity, colour temperature or colour scenes (CT and x-y). They can also be integrated into DIGIDIM or Imagine systems.

Designed for easy installation, the ILLUSTRIS panels consist of two parts, which are shipped separately: a DALI Interface (290x) and a Front Fascia (19xxx).

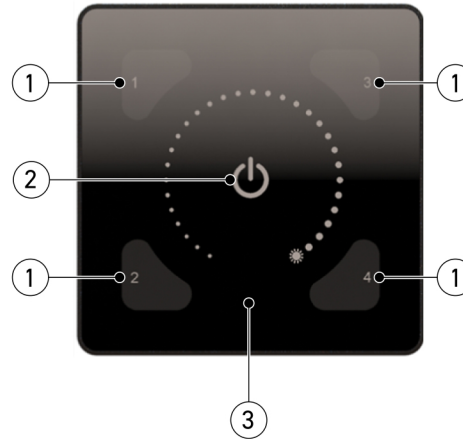
The ILLUSTRIS DALI Interface can be installed and used to operate the lighting without the Front Fascia either from the SceneSet app or from a touch-sensitive area*. A decorator's cover protects it during the final stages of a building project, before the Front Fascia is attached.

Key Features

- Standalone controller and user interface.
- Networkable on DIGIDIM or Imagine router systems.
- Minimal setup / Out-of-box operation.
- Capable of creating, storing and recalling four lighting scenes.
- Capable of creating, storing and recalling four lighting scenes.
- Fully DALI-compatible.
- Supports DALI Type 8 colour temperature and x-y colour presentation.
- Available in a variety of front fascias for different controls, including customised versions.
- Glass and plastic front fascia finishes.
- App control via SceneSet mobile app (iOS and Android).
- Designed to fit UK, DIN and similar back boxes.
- Detergent and moisture tolerant, protection up to IP44 class for environments requiring high cleanliness.

Common controls (all panels)

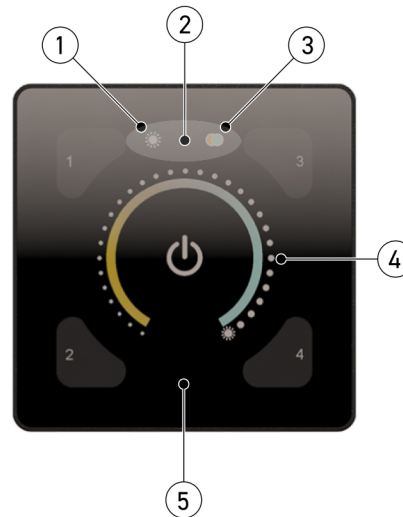
191PB



1. Scene recall buttons
2. Last level / Off button
3. Hidden 'cleaning' button

Colour temperature panels (192xx)

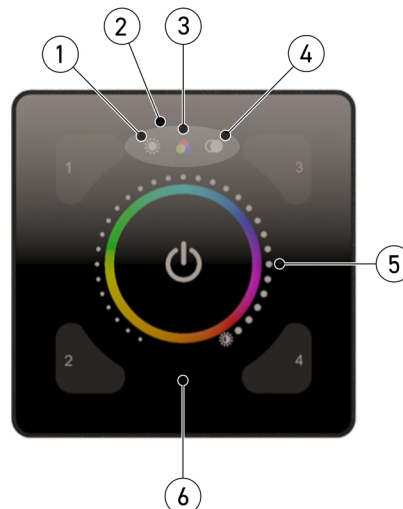
192PB



1. Intensity mode indicator
2. Mode selector
3. Colour temperature mode indicator
4. Intensity / Colour temperature horseshoe control (depending on selected mode)
5. Colour-temperature tell-back LED

Colour panels (193xx)

193PB



1. Intensity mode indicator
2. Hue mode indicator
3. Mode selector
4. Saturation mode indicator
5. Intensity and saturation horseshoe control / Hue (colour) control circle (depending on selected mode)
6. Colour tell-back LED

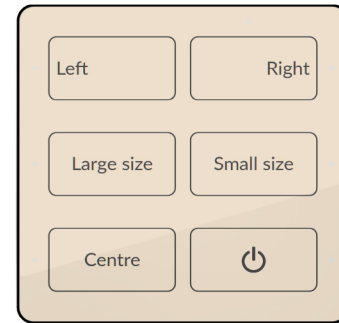
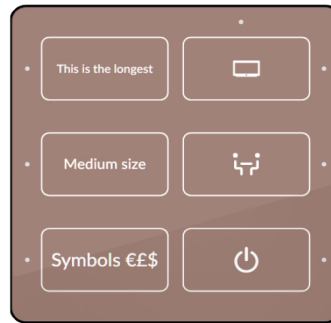
ILLUSTRIS Custom panels

You can customise the ILLUSTRIS front fascias to support your project requirements in a lighting router system.

Choose from:

- 18 different panel layouts
- 23 RAL background colours
- Black or white bezels
- Glass or plastic materials
- Label buttons with text or in-built icons
- Selectable button text size and justification settings

For customisation support, contact your local sales representative.

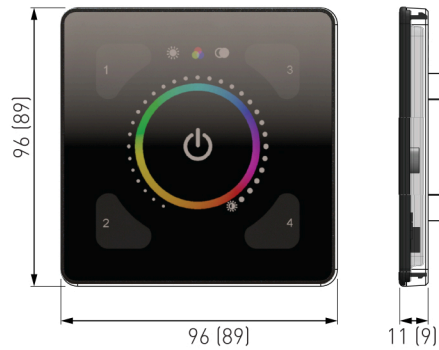


Models and Finishes

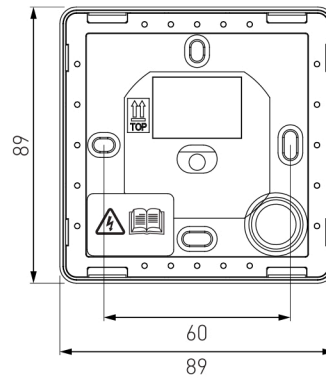
| Description | Functions | Material | Colour | Order code |
|--|--|------------------|-----------------------------------|------------|
| Scene control Front Fascia | Four scenes, off/last level and intensity control | Glass | Black | 191HB |
| Scene control Front Fascia | Four scenes, off/last level and intensity control | Glass | White | 191HW |
| Scene control Front Fascia | Four scenes, off/last level and intensity control | Plastic | Black | 191PB |
| Scene control Front Fascia | Four scenes, off/last level and intensity control | Plastic | White | 191PW |
| Colour temperature control Front Fascia | Four scenes, off/last level and intensity/colour temperature control | Glass | Black | 192HB |
| Colour temperature control Front Fascia | Four scenes, off/last level and intensity/colour temperature control | Glass | White | 192HW |
| Colour temperature control Front Fascia | Four scenes, off/last level and intensity/colour temperature control | Plastic | Black | 192PB |
| Colour temperature control Front Fascia | Four scenes, off/last level and intensity/colour temperature control | Plastic | White | 192PW |
| Full colour control Front Fascia | Four scenes, off/last level, and intensity/hue/ saturation control | Glass | Black | 193HB |
| Full colour control Front Fascia | Four scenes, off/last level, and intensity/hue/ saturation control | Glass | White | 193HW |
| Full colour control Front Fascia | Four scenes, off/last level, and intensity/hue/ saturation control | Plastic | Black | 193PB |
| Full colour control Front Fascia | Four scenes, off/last level, and intensity/hue/ saturation control | Plastic | White | 193PW |
| ILLUSTRIS DALI Interface | On/off, Bluetooth® connectivity | Plastic | Black | 290B |
| ILLUSTRIS DALI Interface | On/off, Bluetooth® connectivity | Plastic | White | 290W |
| Custom Front Fascia from palette of 18 layouts | Custom scenes, off/last level, and intensity/hue/ saturation/ colour-temperature control, custom icons and labelling | Glass | Custom from palette of 24 colours | 2XXHL |
| Custom Front Fascia from palette of 18 layouts | Custom scenes, off/last level, and intensity/hue/ saturation/ colour-temperature control, custom icons and labelling | Plastic | Custom from palette of 24 colours | 2XXPL |
| Optional extras | | | | |
| Silicone gasket for H model | Provides IP44 protection class | Silicone rubber | White | ISBW |
| Silicone gasket for H model | Provides IP44 protection class | Silicone rubber | Black | ISBB |
| Silicone gasket for H model | Provides IP44 protection class | Silicone rubber | Clear | ISBC |
| Metal plate for H model | Provides support for silicone gasket. | Galvanised steel | N / A | N / A |

Dimensions (mm)

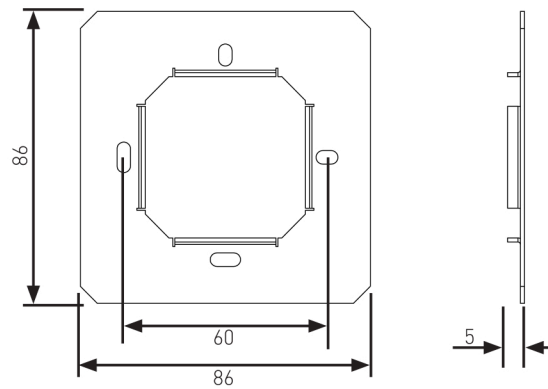
19xHx + 290x (19xPx + 290x)



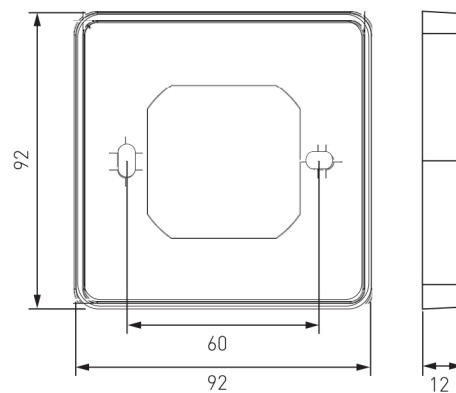
290x



Metal plate



ISBx



Technical Data

| Connections | |
|---------------|---|
| DALI: | Push-fit terminals. Wire section: 0.5 mm ² – 1.5 mm ² solid or stranded. |
| Cable rating: | All cables must be mains rated. |

| Electrical data | |
|--------------------|---|
| DALI supply input: | 9.5 V – 22.5 V |
| DALI consumption: | Typical: 22 mA @ 16 V Maximum: 40 mA @ 9.5 V |

| Radio operation | |
|------------------------|-------------------|
| Wireless connectivity: | Bluetooth® Smart™ |

| Operating and storage conditions | |
|----------------------------------|--------------------------|
| Ambient temperature: | 0 °C to +50 °C |
| Relative humidity: | Max. 90 %, noncondensing |
| Storage temperature: | -10 °C to +70 °C |

| Software compatibility | |
|------------------------|---|
| Designer: | 5.3.0 or later for standard panels 5.4.3 for custom panels |

| Mechanical data | |
|-----------------|---|
| Dimensions: | 19xHx: 96 mm × 96 mm 19xPx: 89 mm × 89 mm 290x: 89 mm × 89 mm |
| Weight: | 19xHx: 150 g 19xPx: 90 g 290x: 50 g |
| Material: | 19xHx: Glass 19xPx: Acrylic (PMMA) 290x: Flame-retardant PC/ABS |
| IP rating: | IP30 IP44 with ISBW/ISBB silicone gasket with 19xHx types fascia. |

| Conformity and standards | |
|--------------------------|---|
| Conformity: | |
| DALI: | IEC 62386 (Part 209: CT and x-y control only) |
| EMC: | EN 55015, EN 61547 |
| RED: | EN 300328, EN 301489-17 |
| Safety: | EN 60669-2-1 |
| FCC: | Contains FCC ID: WAP2005. |
| Environment: | Complies with WEEE and RoHS directives. |