

434 EnOcean Gateway

The 434 EnOcean Gateway allows you to connect wireless and batteryless EnOcean controls to a DALI lighting network.

It can be mounted on the ceiling or on walls, and requires only a single electrical connection to a DALI network.

Once installed, the 434 will support up to 20 EnOcean switches without any other wiring. The switches are batteryless, thanks to energy-harvesting technology, and maintenance-free. Energy is generated by pressing the EnOcean button, and a radio signal is sent to the Gateway.

The EnOcean switches can be configured in just a few minutes using Designer or Toolbox software.



Key Features

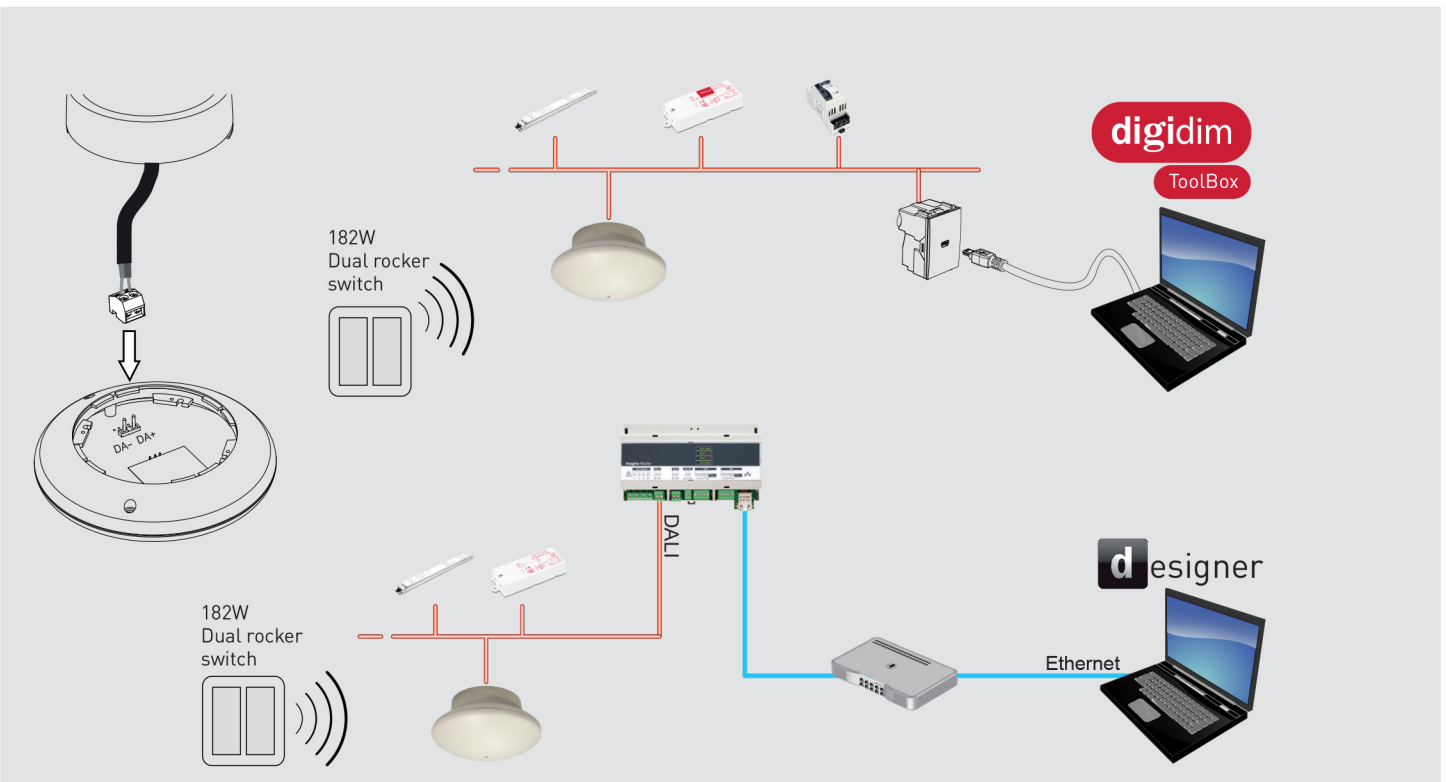
- Integrate wireless, batteryless switches into DALI network.
- Simple installation.
- Gateway is powered by the DALI network.
- Up to 20 switches can be integrated via one gateway.

Product Order Codes:

EnOcean Gateway [868 MHz]: 434

EnOcean Gateway/2 [928 MHz]: 434/2

Connections



Status LED

EnOcean Receiver

Receives control commands from EnOcean switches (available separately).

Status LED: red or green.

In normal operation, the LED remains unlit.

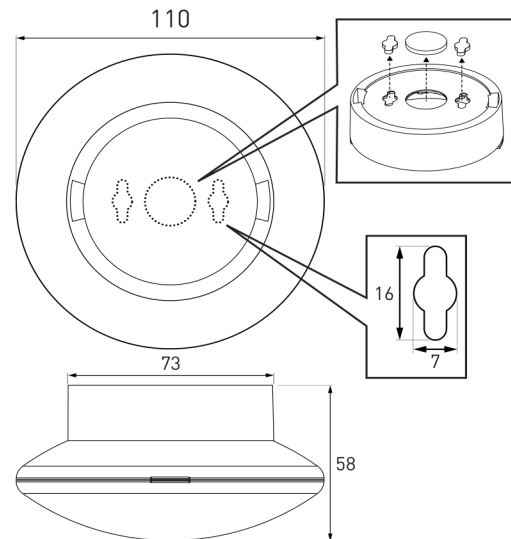
The red LED flashes to indicate one of the following:

- FAST: DALI network in process of discovering the Gateway.
- FAST: Designer or Toolbox software identifying the Gateway.
- SLOW (every 1.25 s): Gateway is in Learning Mode.

The green LED flashes to indicate the following:

- The Gateway is in Learning Mode, and has detected a switch (received a signal from a switch unit).

Dimensions (mm)



Technical Data

Connections	
DALI:	Removable 2-part connector block Wire size: 0.5 mm ² – 2.5 mm ² solid or stranded
Cable rating:	All cables must be mains rated.

Electrical data	
DALI supply input:	13 V – 22.5 V
DALI consumption:	20 mA

Operation	
Supported profile:	EnOcean EEP F6-02-xx, F6-04-xx (PTM 210/215 normal mode)
Range (switches):	Typical EnOcean Switches: 30 m (unobstructed space)
Max. No. of switch units per gateway:	20

Operating frequencies	
The following models can be safely used in the countries listed below:	
434:	868 MHz European Union, Iceland, Liechtenstein, Norway, Switzerland and other countries adopting the RED directive.
434/R2*:	928 MHz Japan and other countries adopting the ARIB specification.
* Excludes operation in Australia and New Zealand	

Operating and storage conditions	
Ambient temperature:	0 °C to +50 °C
Relative humidity:	Max. 90 %, noncondensing
Storage temperature:	-10 °C to +70 °C

Mechanical data	
Dimensions:	110 mm (ø) × 58 mm
Colour:	White (RAL 9002)
Weight:	75 g
IP rating:	IP30

Conformity and standards	
Conformity:	
EMC emission:	EN 55015
EMC immunity:	EN 61547
Safety:	EN 61347-2-11-1
RED:	EN 300220-2 (434) EN 301489-3 (434)
ARIB:	STD-T108 (434/2) R 206-000372
Wireless protocol:	ISO/IEC 14543-3-10
Environment:	Complies with WEEE and RoHS directives.