

458/UNI8 8-Channel Universal Dimmer Module

The 458/UNI8 is an eight-channel transistor dimmer module for leading or trailing edge dimming.

It is compatible with all common load types: inductive, capacitive and resistive.

The unit incorporates a number of novel features that provide 'first-class' performance when dimming modern LED lamps. This includes both mains dimmable retrofit lamps and LED drivers.

The module's eight channels can be individually selected as leading or trailing edge, and are rated at 6 A each.

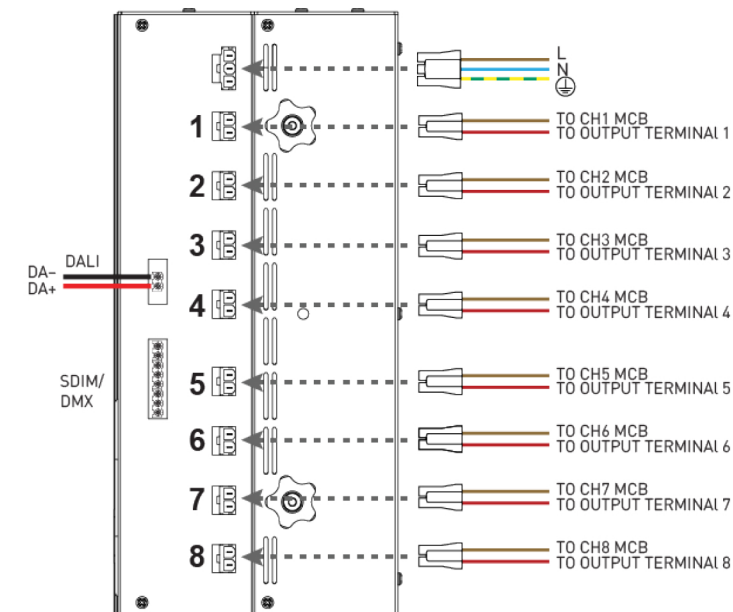
The module has a DALI and an SDIM/DMX interface, and therefore can be fully integrated into a standalone DALI, a DIGIDIM, an Imagine router or a DMX system.

Key Features

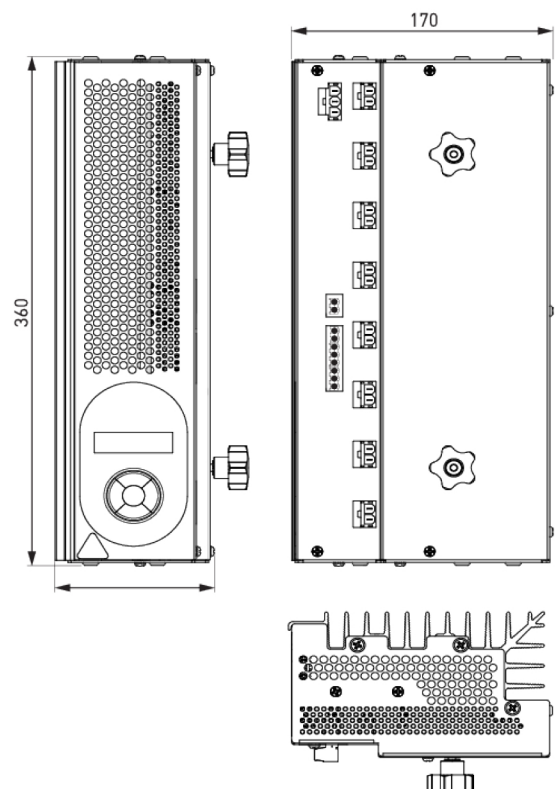
- Module plugs into any 458 mechanical chassis
- LCD display screen with navigation keys
- DALI/SDIM/DMX
- Active bottom load



Connections



Dimensions (mm)



Technical Data

Connections	
DALI:	Wire section: 0.5 mm ² – 2.5 mm ² Recommended: 1.0 mm ² – 1.5 mm ² Max. length: 300 m @ 1.5 mm ² DALI cables must be mains rated.
SDIM/DMX:	0.22 mm ² – 1.5 mm ² low-loss RS485 type (multistranded, twisted and shielded)
Override (OVR):	0.5 mm ² – 1.5 mm ² (screened and twisted) Max. length: 50 m

Power	
Mains supply:	100 VAC – 240 VAC (nominal) 85 VAC – 264 VAC (absolute) 45 Hz – 65 Hz
Power consumption:	6 W (excluding loads)
Power circuit protection:	6 A max. external protection, earth mandatory
Isolation:	Between mains supply, DALI and SDIM/DMX/Override connectors.
Standby power:	No Standby mode
Max. total losses:	70 W
DALI consumption:	2 mA


Load	
Load current:	48 A (max.)
Minimum load:	No minimum load
Maximum load:	8 × 6 A
Output regulation:	Automatic compensation for supply voltage and frequency variations

Protection	
Load protection:	Refer to 458Mx Installation Guide.
Active bottom load:	Resettable fuse (PTC protection)
Thermal protection:	Control board – resettable fuse, power devices – thermal sensing

Inputs	
Control:	DALI, SDIM or DMX
Override (OVR):	Wired override input
User interface:	Control panel: 5 push buttons and LCD screen for configuration.

Operating and storage conditions	
Ambient temperature:	0 °C to +40 °C
Relative humidity:	Max. 90 %, noncondensing
Storage temperature:	-10 °C to +70 °C

Mechanical data	
Dimensions:	105 mm × 360 mm × 170 mm
Weight:	3.9 kg
Material:	Housing: Powder coated steel (black) Heatsink: Anodised aluminium
Mounting:	Attached to 458M1, 458M2, or 458M3 chassis
IP rating:	IP20

Conformity and standards	
Conformity:	
EMC emission:	EN 55015
EMC immunity:	EN 61547
Safety:	EN 61347-2-11
Harmonics:	EN 61000-3-2* * Professional equipment. Total rated power > 1 kW.
DALI:	IEC 62386, with extensions
SDIM:	protocol (RS485, 115 kbps)
DMX:	DMX512-A protocol (max. refresh rate: 33 Hz)
Environment:	Complies with WEEE and RoHS directives.