

4670 Cloud Gateway (HCG) Gen 2 Datasheet

ROCKGATE

The Cloud Gateway (HCG) Gen 2 connects a wired Imagine Lighting Control System to the Insights platform.

The Insights platform, which is hosted in Amazon Web Services (AWS), transmits data to and from the Lighting Control System via the HCG.

A valid Insights contract is required for the service to be used.

Key features

- Connectivity to Insights.
- Pre-configured for easy setup.
- DIN-rail mounting option.
- Dual ethernet ports.
- Over the air updates.
- PSU included.



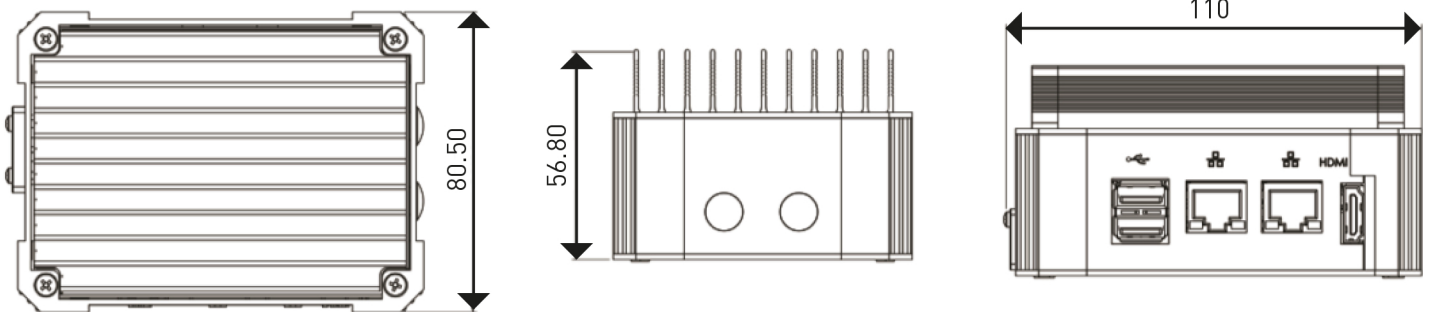
Requirements

- Designer / Router version:
 - Insights is compatible with Imagine via Designer and router version 5.5.7 and above.
 - If 950 routers are used, version 5.8.7 or above is required.
 - For older versions, the Designer / router software will need to be upgraded.
- One HCG is needed for each workgroup.
- Each workgroup has a maximum of 100 routers.
- One HCG can support up to 6000 DALI devices.
- Ethernet connection and internet access. Throughput up to 6 Mbps.

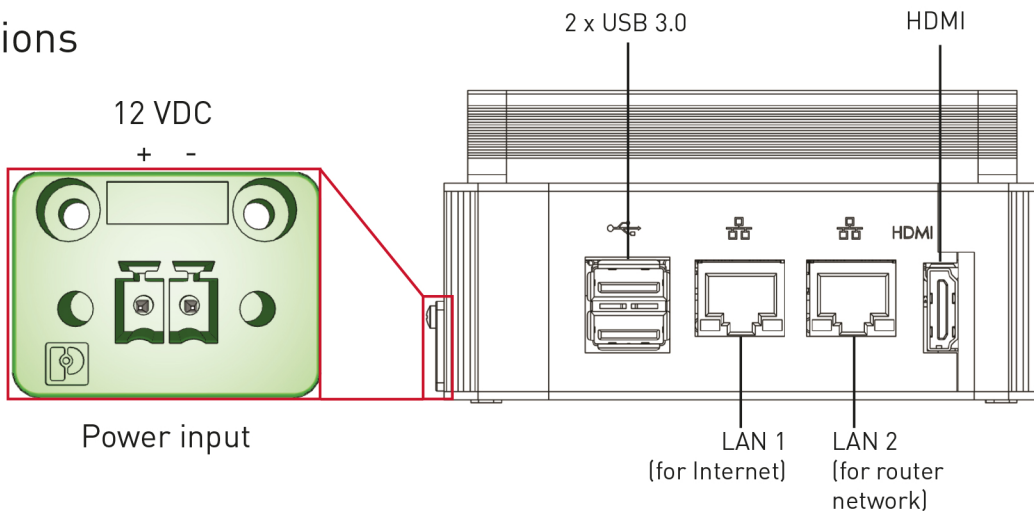
Security

- The HCG is shipped pre-configured and no passwords are stored locally.
- The HCG is mapped to a unique site and can only access and collect data from that site.
- The system uses a combination of MQTT and HTTPS to communicate between the Cloud Gateway and the Cloud. These communications are secured by leveraging TLS 1.2 at the transport layer. The cipher suite used for TLS is ECDHE-ECDHE-AES128GCM-SHA256. For HTTP communications 'AWS signature version 4' is used for authentication between the HCG Insights.
- Firewall requirements are available in a separate document, "Cloud Gateway Pre-sales Requirements and Information".

Dimensions (mm)



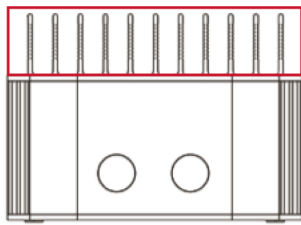
Connections



Mounting Options

Shelf Mount

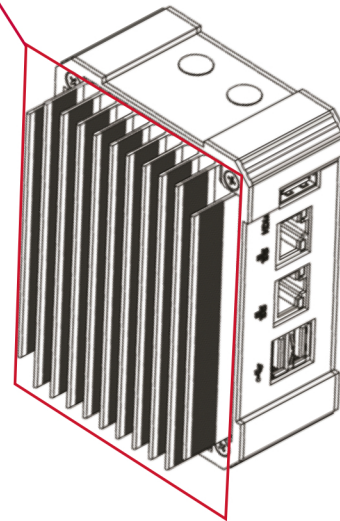
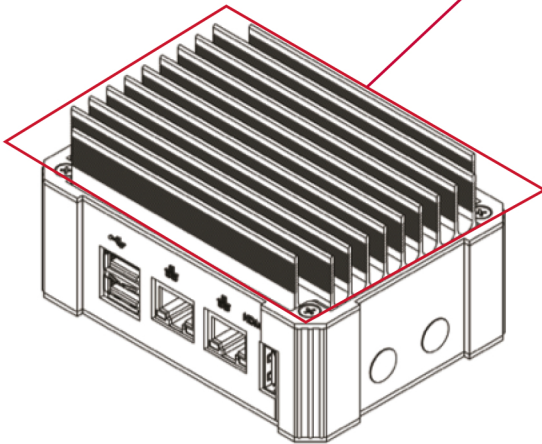
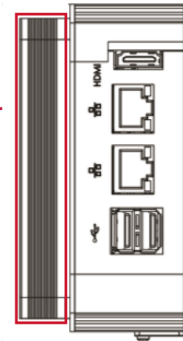
Ensure the unit is placed onto a secure and flat surface with the heat sinks facing upward, as highlighted below.



Heat sinks

DIN Rail Mount


Make sure the unit is positioned so the heat sinks are vertical, as shown below.



Technical Data (HCG)

Electrical data	
Input voltage:	12 VDC on Phoenix connector 1827703.
Max power:	15 W
Connectivity	
LAN 1:	10/100/1000 Mbps. For internet.
LAN 2:	10/100/1000 Mbps. For router network.
I/O Interfaces	
HDMI:	1.4b: up to 3840 x 2160 at 30Hz.
USB interface:	2 x USB 3.0
Software compatibility	
Designer:	5.5.7 and above. 5.8.7 and above if using 950 routers.
Operating and storage conditions	
Ambient temperature:	0 °C to +40 °C
Relative humidity:	5% to Max. 90 %, non-condensing.
Storage temperature:	-20 °C to +60 °C
Mechanical data	
Dimensions:	110 x 56.8 x 80.5mm (WxHxD)
Mounting:	Option 1: Shelf mount. Option 2: DIN rail.
IP rating:	IP20

Technical Data (HCG)

Conformity and standards	
Conformity	
EMC emission:	EN 55032 Class A Equipment
EMC immunity:	EN 55035
Warning: This is a Class A product. In a domestic environment this product may cause radio interference in which, the user may be required to take adequate measures.	
Safety:	EN 62368-1
Environment:	Complies with WEEE and RoHS directives.

Technical Data (PSU)

Power supply unit	
Model:	Mean Well GE40I12
DC plug type:	Phoenix connector 1827703.
DC output voltage:	12 V
Rated output current:	3.3 A
Rated output power:	40 W

Order Information

Product code:	2023007
Product name:	4670 HCG Gen2 KIT
Description:	4670 HCG Gen2 + PSU + DIN rail mounting kit