

490 2-Channel Blinds Controller

The 2-Channel Blinds Controller is a DALI-compatible interface unit that allows control of blinds and curtains in a DIGIDIM lighting control system. The blinds controller is a DIN-rail mounted unit that provides two independent control channels, each with two single-pole, volt-free contacts for switching up to 550 W up/down or power direction motors from a DIGIDIM system.

The unit has a status LED, a physical selection switch and relay-state indicators. The status LED provides status and a fault indication. The physical selection switch is used to identify the device during system configuration. The relaystate indicator LEDs are illuminated when the respective relay is closed.



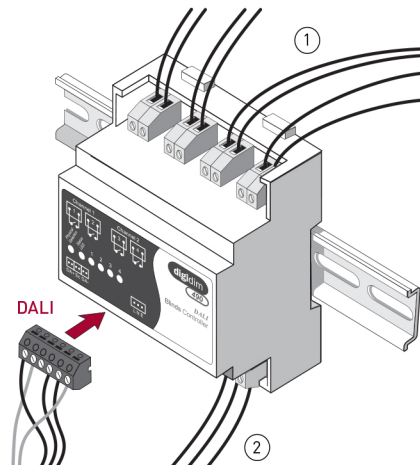
Note: This unit does not contain a DALI power supply. Therefore, one must be present elsewhere in the system.



Key Features

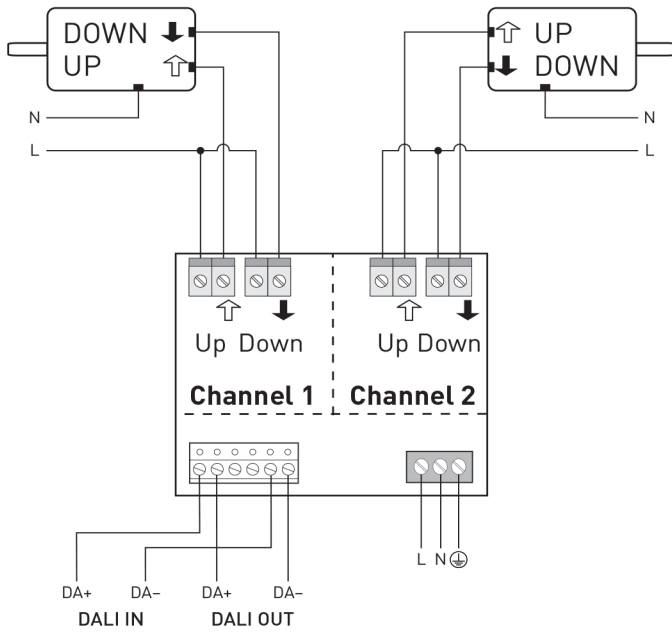
- Up/Down mode operates in a 'Break before Make' manner to prevent motor damage.
- Relays are internally isolated permitting separate mains phases to be used for each control channel.
- All DALI functions are programmed with either DIGIDIM Toolbox or Designer software.
- DIN-rail mounted and only 88 mm wide.

Connection details

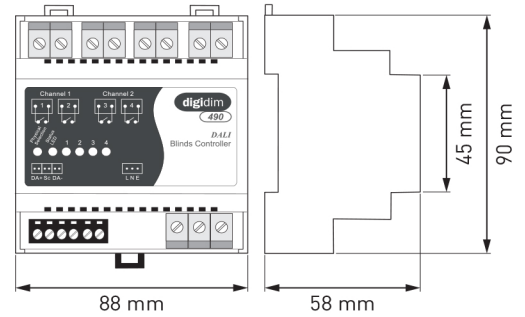


1. Load wiring
2. Supply wiring


Connections



Dimensions (mm)



Technical Data



Connections	
DALI:	Standard DIGIDIM removable terminal block 0.5 mm ² – 1.5 mm ² solid or stranded
Mains:	Up to 4 mm ² solid core or up to 2.5 mm ² stranded
 Note: If equipment is used in an electrically noisy environment, the DALI cable should be screened and connected to the earth.	

Electrical data	
Mains supply:	220 VAC – 240 VAC, 50 Hz – 60 Hz
DALI consumption:	2 mA

Relay load	
Motor load:	550 W max.

Operating and storage conditions	
Ambient temperature:	0 °C to +40 °C
Relative humidity:	Max. 90 %, noncondensing
Storage temperature:	-10 °C to +70 °C

Mechanical data	
Dimensions:	88 mm × 90 mm × 58 mm
Housing:	DIN-rail case 88 mm wide
Weight:	300 g
Mounting:	DIN rail (installation in switchgear/controlgear cabinet)
IP rating:	IP30 (IP00 at terminals)

Conformity and standards	
Conformity:	 
EMC emission:	EN 55015
EMC immunity:	EN 61547
Safety:	EN 61347-2-11
Isolation:	4 kV
Environment:	Complies with WEEE and RoHS directives.