

492 16 A Power Relay Unit


The 492 is a single-channel relay unit designed to allow control of non-DALI, nondimmable loads.

The relay is a latching, volt-free contact, high-inrush type, with a contact rating of 16 A.

The 16 A Power Relay Unit is packaged within a plastic enclosure that can be installed within a luminaire or an electrical cabinet, or used as an in-line unit. This compact enclosure has mounting lugs at each end, and cable grips are an integral part of the terminal cover.

The unit is powered from the DALI network. It forms a DALI relay node with a typical current consumption of 2 mA, and it can be programmed as a single-channel relay with lighting design software, Designer and Toolbox.

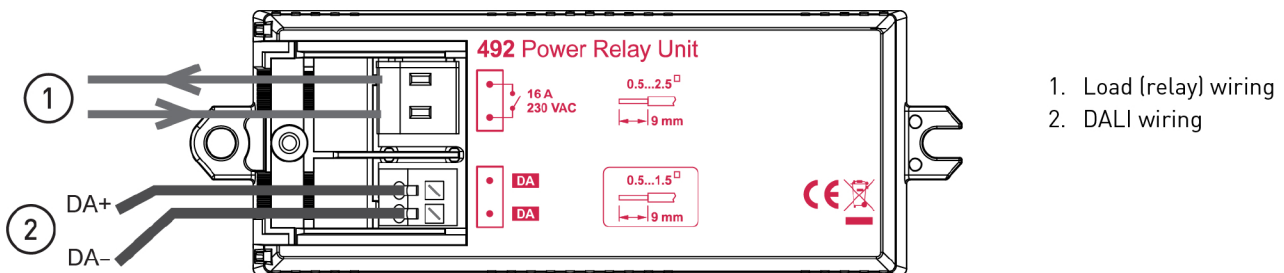


 Note: This unit does not contain a DALI power supply. Therefore, one must be present elsewhere in the system.


Key Features

- 16 A high-current relay
- High-inrush specification relay
- Compact size for luminaire, electrical panel or in-line mounting
- Secure wire connection cover

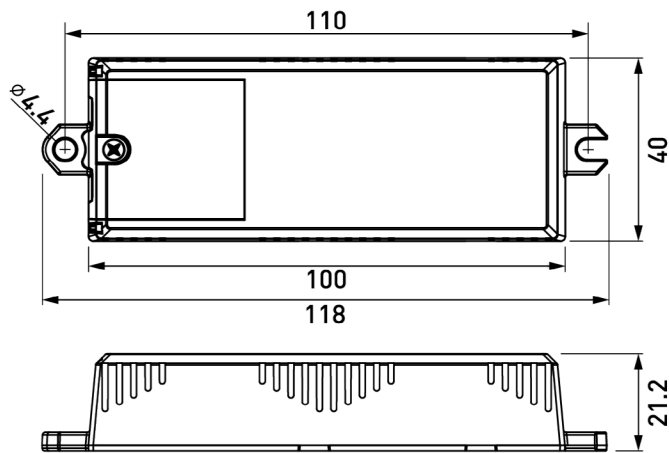
Connections



1. Load (relay) wiring
2. DALI wiring

 Note: The DA+ and DA- wires can go in either of the DALI connectors.

Dimensions (mm)




Technical Data

Connections	
DALI consumption:	2 mA DALI cabling must be mains rated
DALI:	0.5 mm ² – 1.5 mm ² solid or stranded Strip length: 8.5 mm – 9.5 mm
Relay:	0.5 mm ² – 1.5 mm ² stranded 0.5 mm ² – 2.5 mm ² solid core Strip length: 8.5 mm – 9.5 mm

Relay	
Relay contacts:	High-inrush, single-pole, singlethrow (SPST) latching relay
Isolation:	3 kV
Maximum load:	16 A
Number of devices:	Quantity is limited by MCB: refer to the manufacturer's data.
External protection:	External protection must not exceed 16 A type C MCB.

Operating and storage conditions	
Ambient temperature:	0 °C to +40 °C
Relative humidity:	Max. 90 %, noncondensing
Storage temperature:	-10 °C to +70 °C

Mechanical data	
Dimensions:	118 mm × 40 mm × 21.2 mm
Weight:	52 g
Material:	Polycarbonate/ABS mix, UL94 V-0
IP rating:	IP30

Conformity and standards	
Conformity:	
EMC emission:	EN 55015
EMC immunity:	EN 61547
Safety:	EN 61347-2-11
DALI:	IEC 62386, Parts 101, 102 and 208
Environment:	Complies with WEEE and RoHS directives.