

5002 Surface-Mounted Box

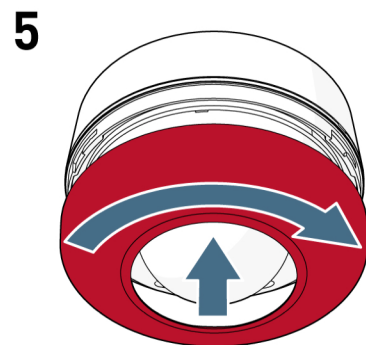
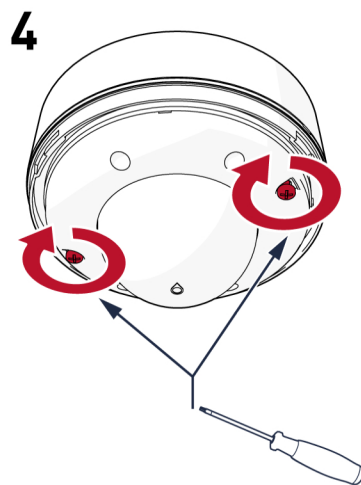
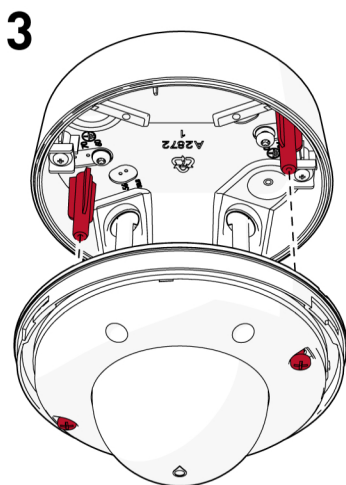
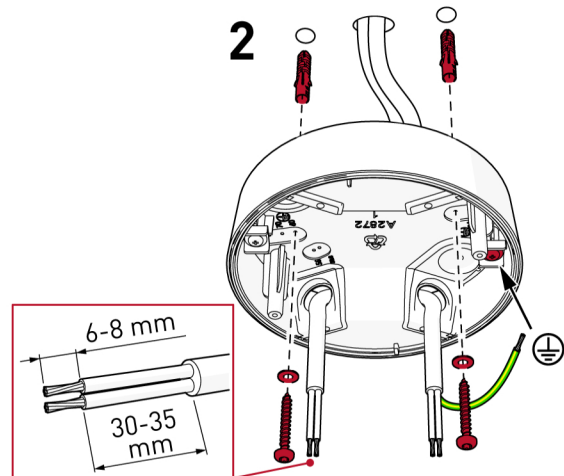
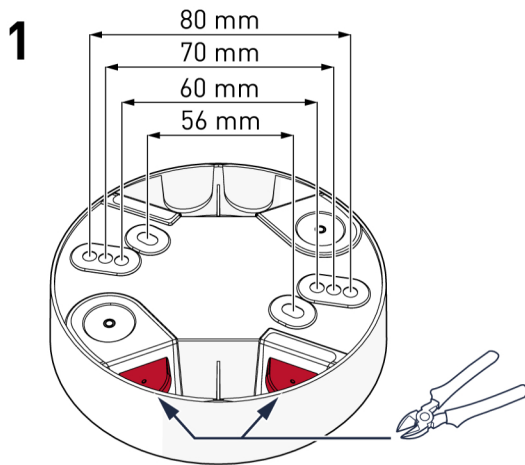
Accessory for surface mounting an ActiveAhead Node Multisensor to the ceiling. This product is included with the 5641 Node Multisensor High Bay products.

Key Features

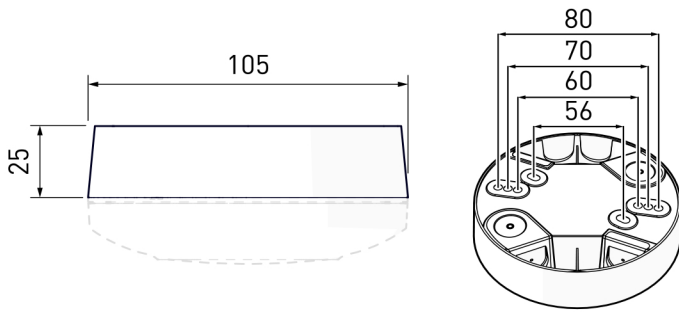
- Easy installation on to surface.
- Available in white (5002) and black (5002B).
- Compatible with 5640 Node Multisensor and 5641 Node Multisensor High Bay.



Mounting



Dimensions (mm)



Technical Data

Mechanical data

Material:	Polycarbonate
Fire retardant:	Yes
UV Protected:	Translucent
Weight:	58 g

Order codes

5002:	Colour: White (RAL 9003)
5002B:	Colour: Black (RAL 9005)

Operating and storage conditions

Operating temperature:	0 °C to +50 °C
Storage temperature:	-40 °C to +70 °C

Conformity and standards

Conformity:	CE UK CA
Safety:	EN 61347-2-11
Environment:	Complies with WEEE and RoHS directives