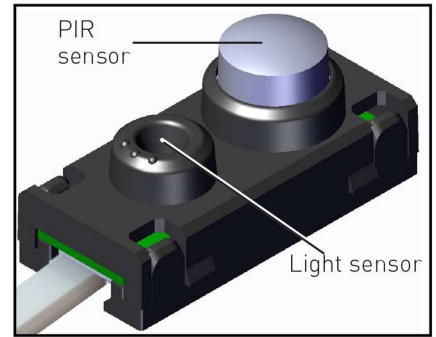


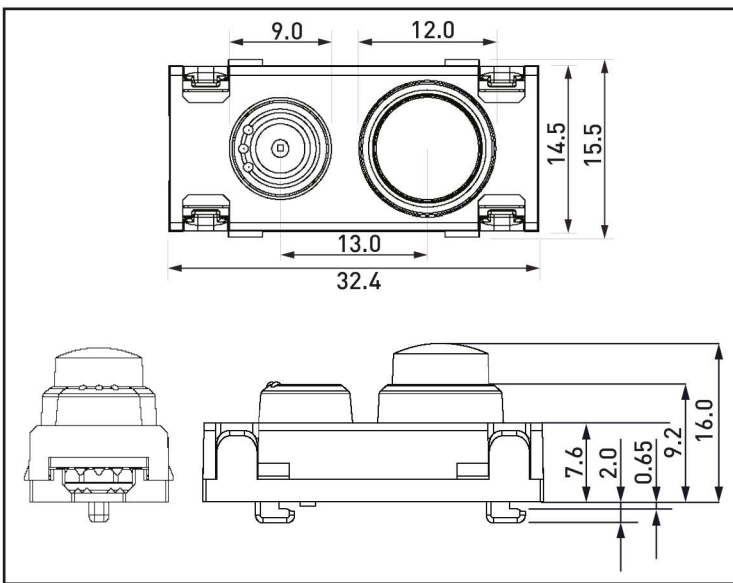
Active+ Sense Installation Guide

The Active+ Sense is a small luminaire-based sensor that combines a light sensor for constant light control and a passive infrared movement detector. This sensor is part of the luminaire-based Active+ stand-alone solution.

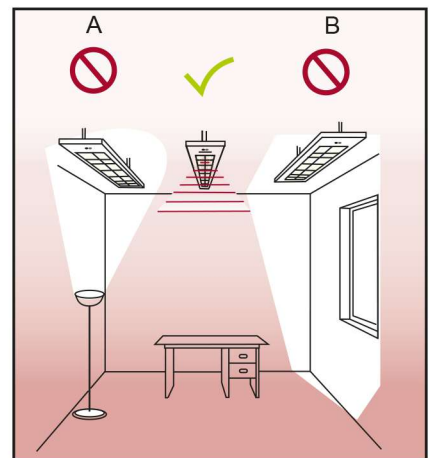


Features

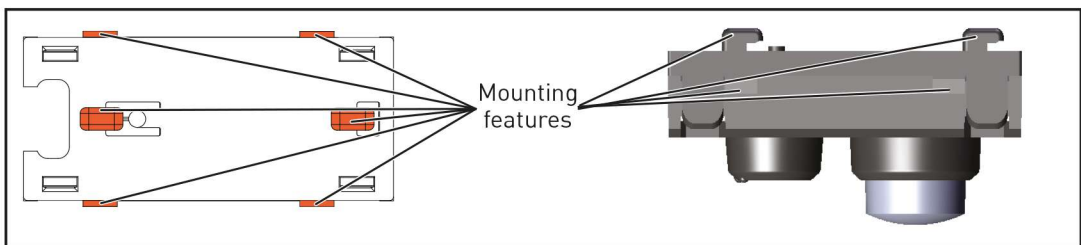
Dimensions (mm)



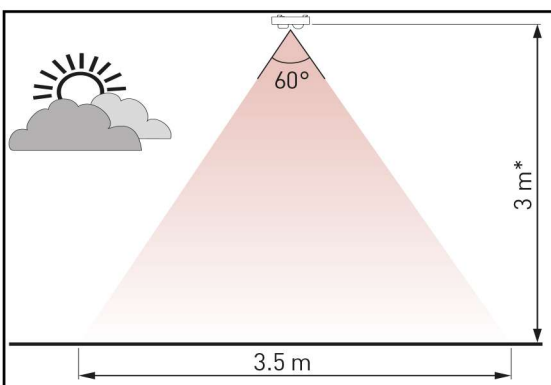
Recommended Location



1. Do not place the sensor in direct line of artificial light sources, e.g. lamps or uplighters.
2. Do not place the sensor in direct sunlight.

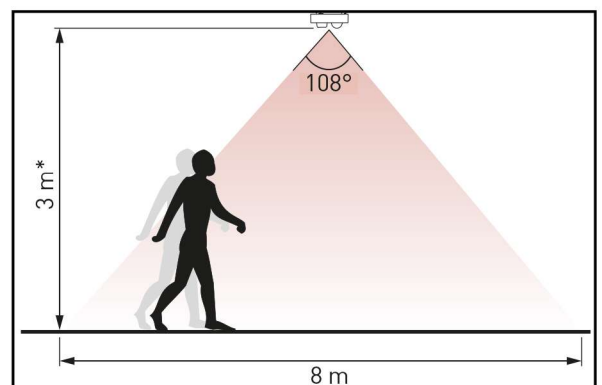


Light Sensor - For constant light functions



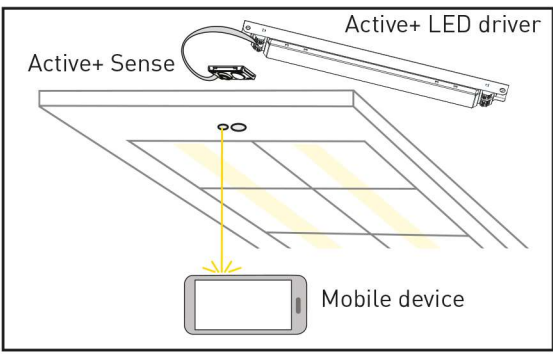
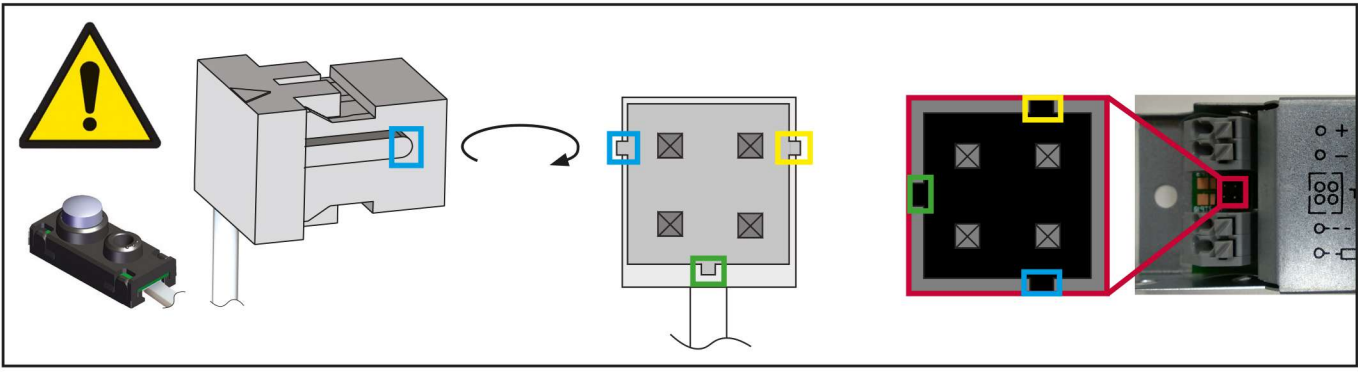
*Max recommended height 3 m

Presence Detector - Passive infrared (PIR)



*Max recommended height 4 m

Connection



Note: Sensor holders are available to be used with the Active+ Sense:
 5691 - ActiveAhead Sense Rectangular Sensor holder
 5692 - ActiveAhead Sense Circular Sensor holder

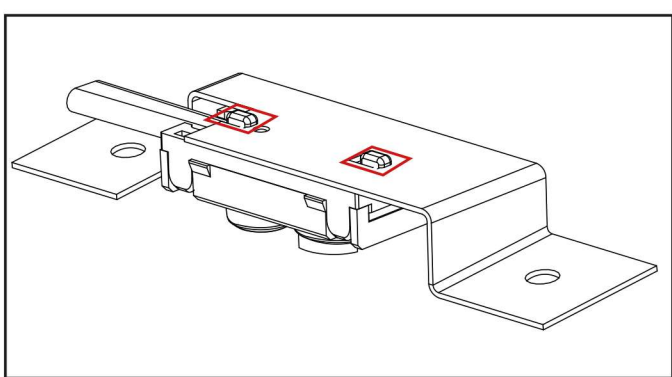
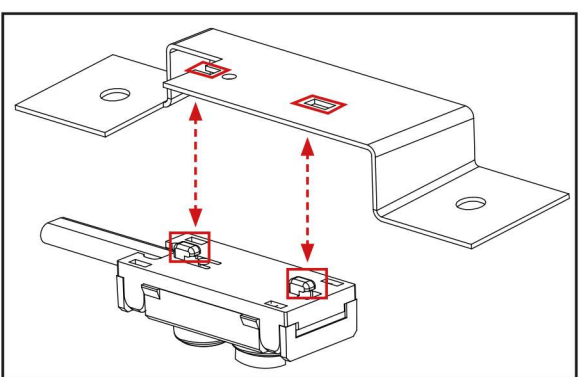
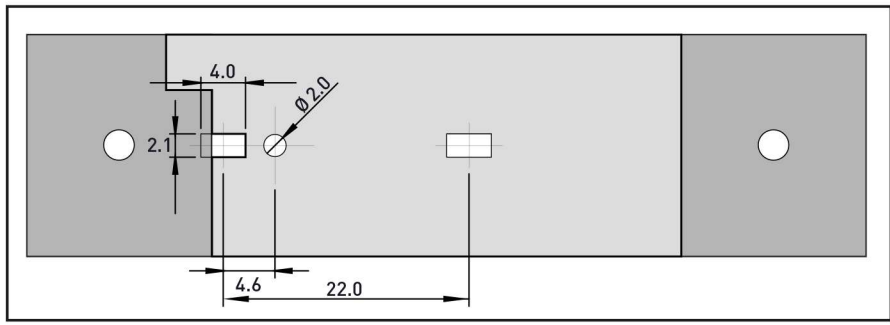
Mounting

The following figures show two of several possible methods of mounting the Active+ Sense in a luminaire. In both cases, the sensor is mounted to 22 swg (0.7 mm) sheet metal:

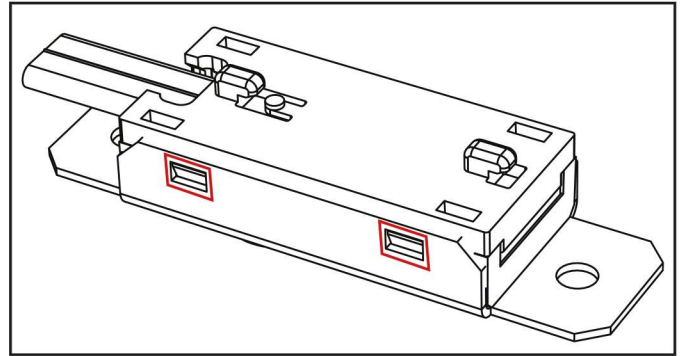
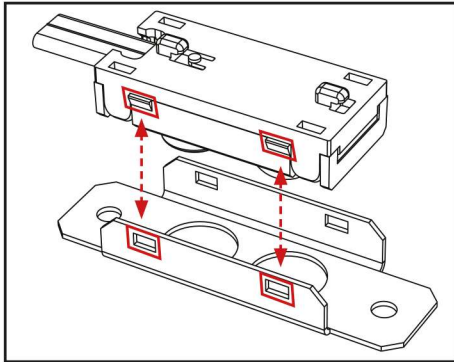
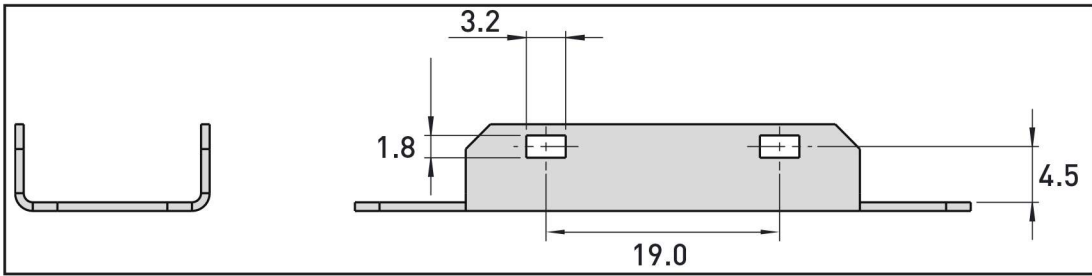
- Option 1 uses the mounting features on the rear of the sensor.
- Option 2 uses the mounting features on the long sides of the sensor.

The mounting features can be used to provide customised mounting solutions. The examples shown are for guidance only. Mounting brackets are not supplied. All dimensions are in millimetres.

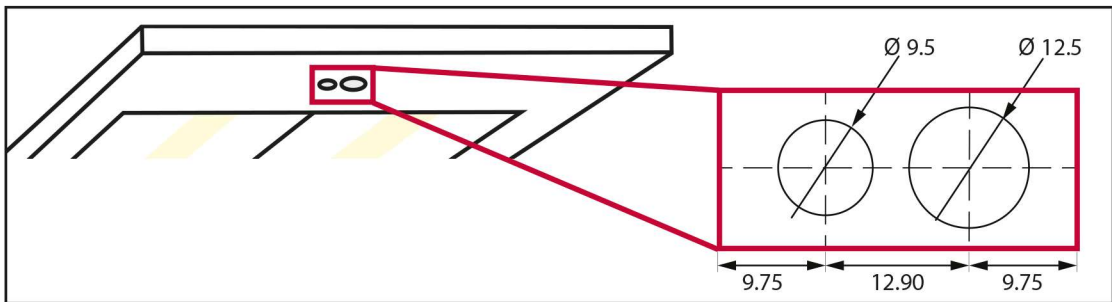
Option 1



Option 2



Luminaire



Technical Data

Connections

Active+: Flexible cable terminated with a four-way, 2 mm keyed connector.
Note: If the sensor is connected to non-SELV control gear, the luminaire must be Class I.

Mechanical data

Dimensions: 32.4 mm × 15.5 mm × 18 mm
 Material (casing): Fire-retardant PC/ABS blend.
 Colour: Black (RAL 9006): Order code 3021
 White (RAL 9003): Order code 302101
 IP code: IP30
 Weight: 22 g

Operating conditions

Ambient temperature: -20 °C to +50 °C
Note: The temperature difference between the detection target and the background must be at least 4 °C.

Relative humidity: Max. 85 %, noncondensing
 Storage temperature: -20 °C to +70 °C
 Illuminance: 5 lx to 5000 lx

Conformity and standards

EMC emission: EN 55015
 EMC immunity: EN 61547
 Safety: EN 61347-2-11
 Environment: Complies with RoHS directive.

Cable Information

Order Code: 3021010 Length: 80cm, Colour: White