

# 3021 Active+ Sense

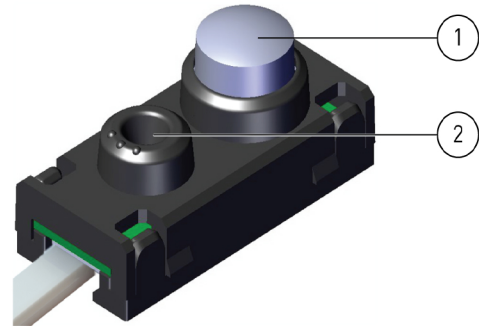
ROCKGATE

The Active+ Sense is a small luminaire-based sensor that combines a light sensor for constant light control and a passive infrared movement detector

This sensor can be used on the self-learning smart wireless lighting control solution ActiveAhead as well as on intelligent luminaire control solution Active+.

The Active+ Sense plugs into an ActiveAhead Control Unit or in the Active+ usage to an Active+ LED driver.

If the sensor is connected to non-SELV control gear, the luminaire must be Class I.

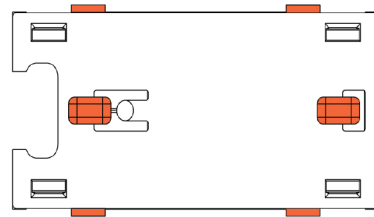
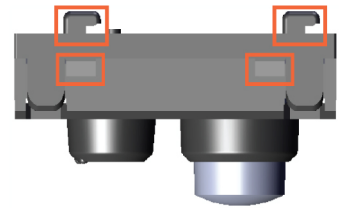


1. PIR sensor
2. Light sensor

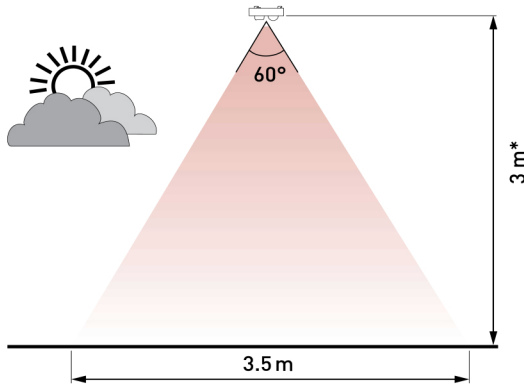
## Key Features

- Small and inconspicuous, it does not change the appearance of the luminaire.
- Provided with mounting features that can be snapped into sheet metal: two on each long side, and two on the rear.
- Part of the ActiveAhead self-learning wireless lighting control solution.

## Mounting Features

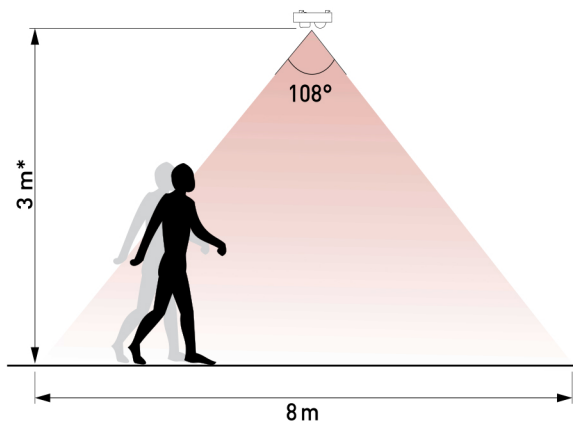


## Light Sensor - For constant light functions



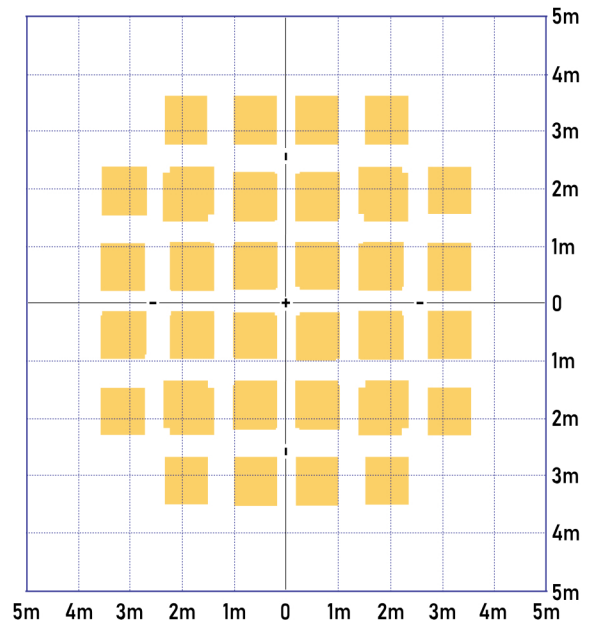
\* Max recommended height 3 m

## Presence Detector - Passive infrared (PIR)




\* Max recommended height 4 m

## Detection pattern at floor level for 2.5 meters mounting height



# Technical Data

## Connections

ActiveAhead / Active+:	Flexible cable terminated with a fourway, 2 mm keyed connector  Note: If the sensor is connected to nonSELV control gear, the luminaire must be Class I.
------------------------	--


## Mechanical data

Dimensions:	50 mm x 20 mm x 10 mm
Weight:	12 g
IP rating:	IP20


## Cable information

Order Code: 302101	Length: 80 cm, Colour: White
--------------------	------------------------------

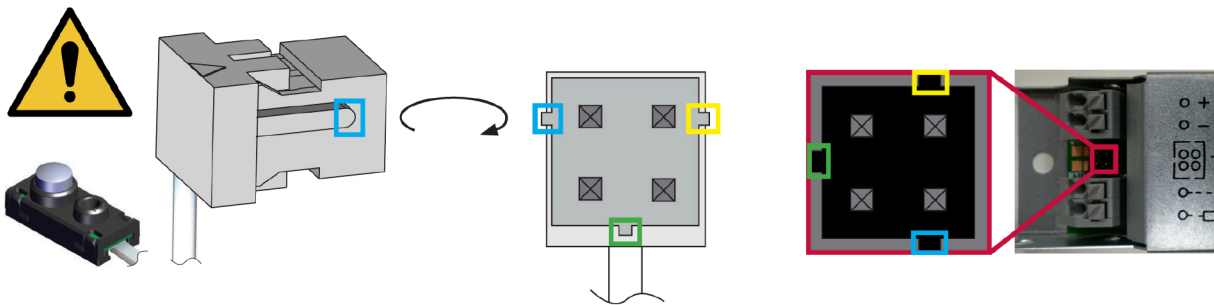
## Operating and storage conditions

Ambient temperature:	-20 °C to +50 °C  Note: The temperature difference between the detection target and the background must be at least 4 °C.
Relative humidity:	Max. 85 %, non-condensing
Storage temperature:	-20 °C to +70 °C
Illuminance:	5 lx to 5000 lx

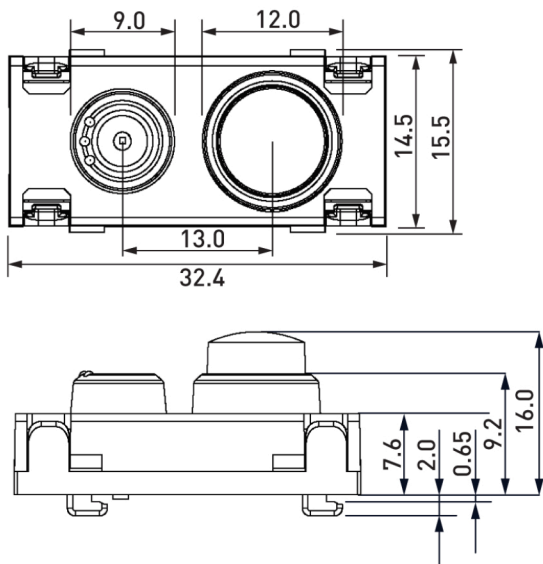
## Conformity and standards

Conformity:	
EMC emission:	EN 55015
EMC immunity:	EN 61547
Safety:	EN 61347-2-11
Environment:	Complies with RoHS directive.

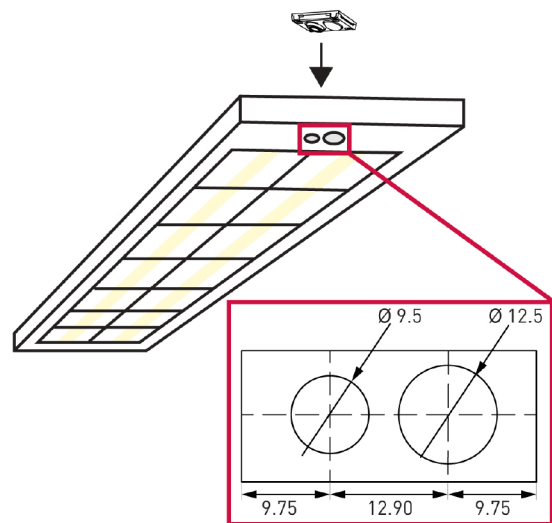
## Connection



## Dimensions (mm)



## Mounting



Note: Sensor holders are available to be used with the Active+ Sense:

5691 - ActiveAhead Sense Rectangular Sensor holder

5692 - ActiveAhead Sense Circular Sensor holder