

315U System Sensor

ROCKGATE

The 315U System Sensor is a luminaire-based DALI sensor suitable for operation with a router system. It provides:

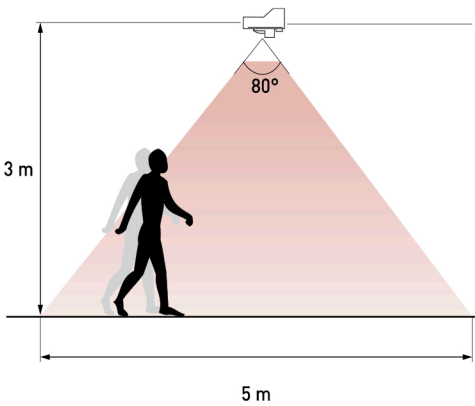
1. a passive infrared (PIR) movement detector.
2. a light sensor (CL) for constant light function.



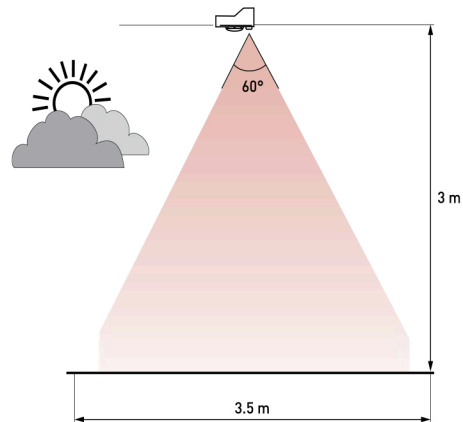
Key Features

- PIR, constant light and infrared control.
- Clip-on fascia in different colours.
- Clip-on PIR restrictor.
- Compatible with lighting system design and control software [Designer].

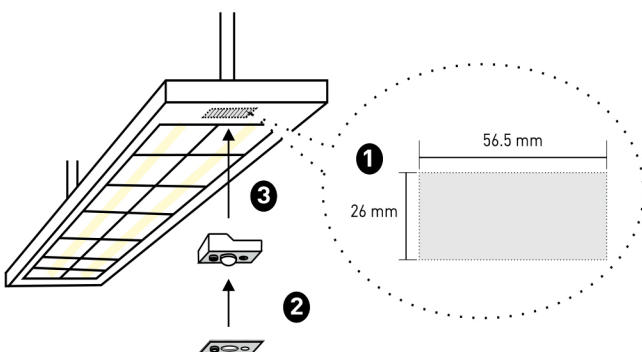
PIR Coverage



Constant Light Coverage

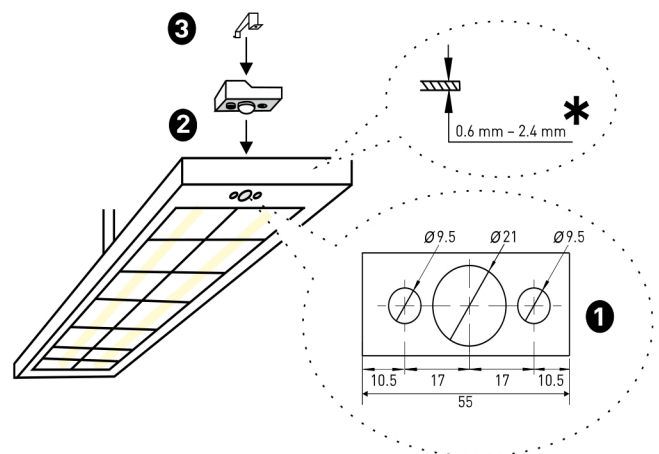


Typical mounting: with fascia



1. Cut-out
2. Fascia
3. Sensor

Alternative mounting: without fascia

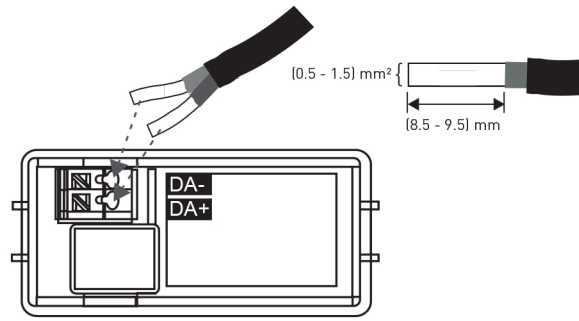


1. Cut-out
2. Sensor
3. Fixing Bracket

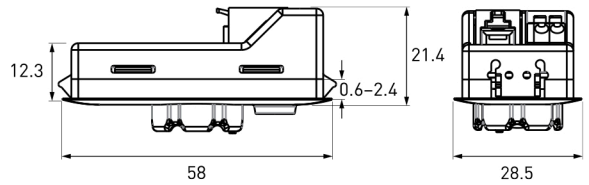
* - Recommended housing thickness

Connections and Installation Guide

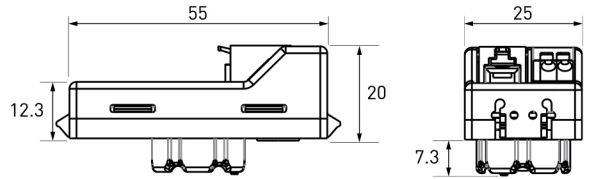
Dimensions (mm)



System Sensor with fascia



System Sensor without fascia



Note: To remove DALI wiring, always press down on the push wire connector clips.



Technical Data

Connections	
DALI:	Wire size: 0.5 mm ² – 1.5 mm ² Solid, flexible or stranded Strip length: 9 mm
Power cable rating:	All cables must be mains rated.

Electrical data	
DALI consumption:	10 mA

Sensors	
Light sensor:	For constant light functions
Presence detector:	PIR: Passive infrared presence detector

Operating conditions	
Ambient temperature:	+10 °C to +50 °C
Relative humidity:	Max. 90 %, noncondensing
Storage temperature:	-25 °C to +75 °C
Illuminance:	5 lx – 5000 lx

Mechanical data	
Dimensions:	55 mm × 25 mm × 20 mm (without fascia). See diagram. 58 mm × 28.5 mm × 21.4 mm (with fascia). See diagram.
Recommended luminaire thickness:	0.6 mm – 2.4 mm
Material (casing):	Fire-retardant polycarbonate
Colour:	Sensor: Grey (RAL 9006) Fascia: White (RAL 9016) or Grey (RAL 9006)
IP code:	IP30
Weight:	15 g

Conformity and standards	
Conformity:	
EMC emission:	EN 55015
EMC immunity:	EN 61547
Safety:	EN 61347-2-11
Isolation:	Double isolated
Environment:	Complies with WEEE and RoHS directives.