

# Tracksensor (32xTR, 32xD2TR) Datasheet

The Tracksensors are ready to be mounted sensors for DALI lighting tracks. Helvar system sensors can be flexibly mounted on the wanted position on the DALI lighting track making sensor installations easy and quick. Order the system sensor of your choice in white or black readily assembled in a track mountable unit.

Connect the DALI lighting track to the Helvar Imagine Router solution or to the ActiveAhead Node Advanced to add lighting control benefits to your installation.

The Tracksensors support a selection of compatible and tested DALI lighting tracks. Please see the latest list later in this document.



## Key Features

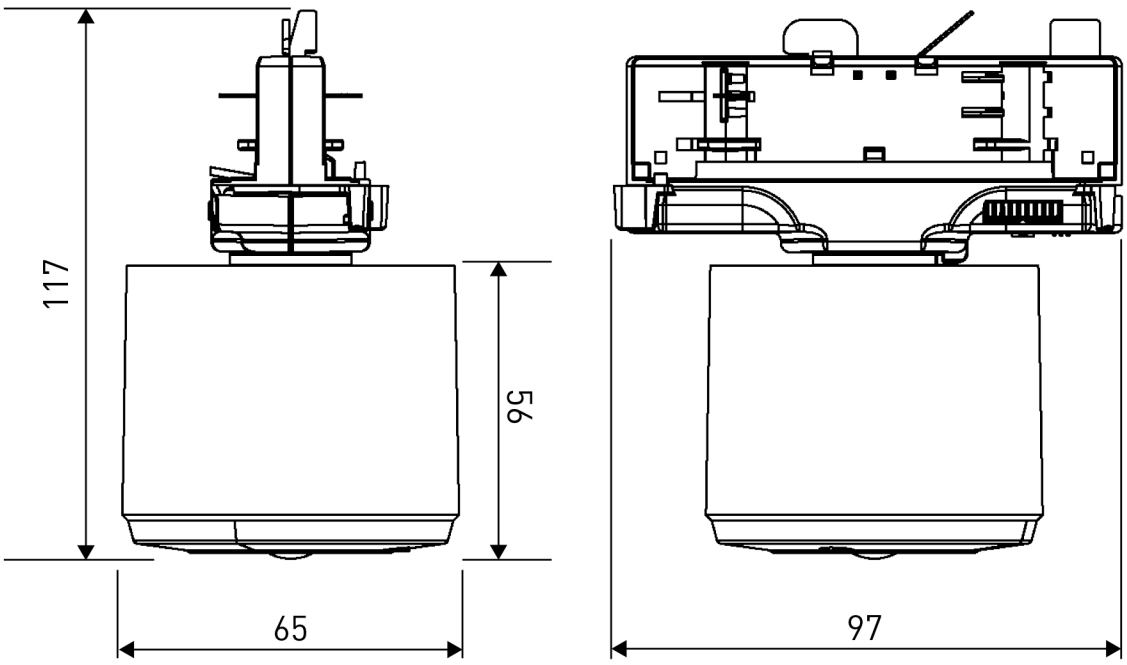
- Ready to be mounted on to a DALI lighting track\*.
- Easy and quick installation.
- Re-position flexibly to support future needs.

\*Compatible tested DALI-lighting tracks:

- Unipro TC3x, 2023
- GLOBAL Trac Pulse, 2023
- A.A.G. Stucchi ONETRACK®, 2023

Product Code	Description	Colour	Compatible System
320TR	PIR Sensor, Track	White	ActiveAhead and 950, 920, 910, 905 Application Controllers
320BTR	PIR Sensor, Track	Black	ActiveAhead and 950, 920, 910, 905 Application Controllers
321TR	Multisensor, Track	White	ActiveAhead and 950, 920, 910, 905 Application Controllers
321BTR	Multisensor, Track	Black	ActiveAhead and 950, 920, 910, 905 Application Controllers
322TR	High Bay Multisensor, Track	White	ActiveAhead and 950, 920, 910, 905 Application Controllers
322BTR	High Bay Multisensor, Track	Black	ActiveAhead and 950, 920, 910, 905 Application Controllers
320D2TR	PIR Sensor (DALI-2), Track	White	ActiveAhead and 950 Application Controller
320BD2TR	PIR Sensor (DALI-2), Track	Black	ActiveAhead and 950 Application Controller
321D2TR	Multisensor (DALI-2), Track	White	ActiveAhead and 950 Application Controller
321BD2TR	Multisensor (DALI-2), Track	Black	ActiveAhead and 950 Application Controller
322D2TR	High Bay Multisensor (DALI-2), Track	White	ActiveAhead and 950 Application Controller
322BD2TR	High Bay Multisensor (DALI-2), Track	Black	ActiveAhead and 950 Application Controller

# Dimensions (mm)



# Technical Data

Conformity and standards	
Conformity:	
EMC emission:	EN 55015, EN 61000-6-3
EMC immunity:	EN 61547
Safety:	EN 61347-1, for track IEC 60570
Environment:	Complies with WEEE and RoHS directives.

Note:



For specific product information and Technical data refer to the relating 32X Sensor and SBB-X Surface Mounting Box datasheets.  
 Tracksensor only supports DALI tracks.  
 Helvar takes no responsibility with any track changes made which could affect compatibility.