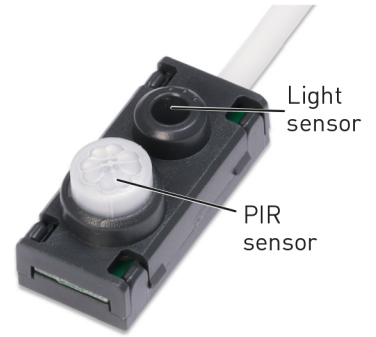


5630 ActiveAhead Sense Installation Guide

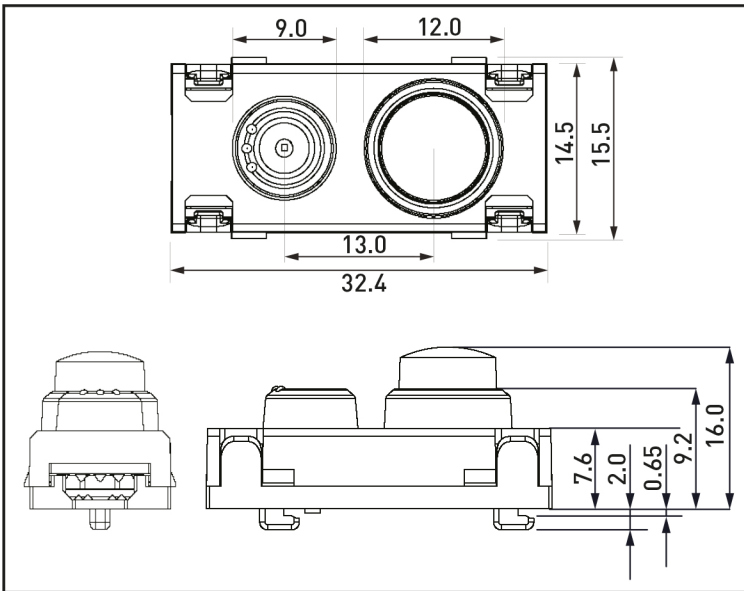
The ActiveAhead Sense is a small luminaire-based sensor that combines a light sensor for constant light control and a passive infrared movement detector.

This sensor is part of the ActiveAhead wireless self-learning lighting control solution.

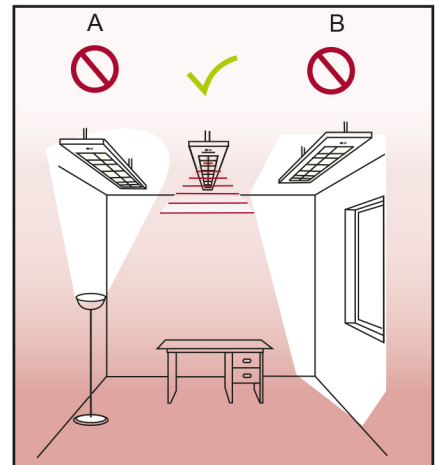


Features

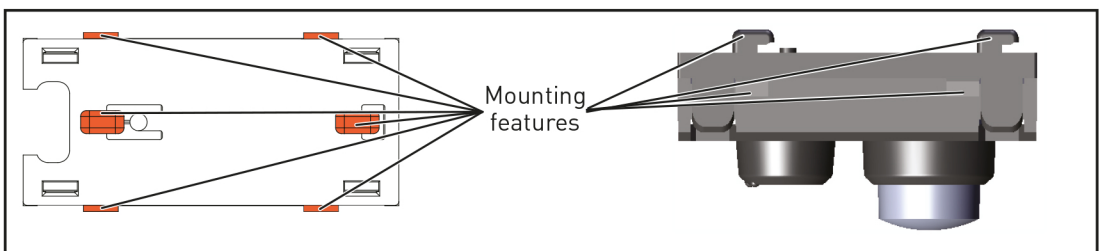
Dimensions (mm)



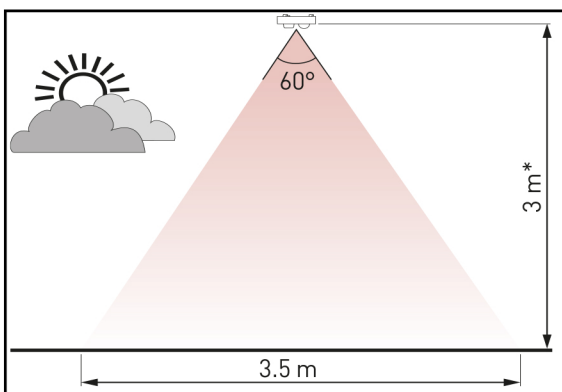
Recommended Location



1. Do not place the sensor in direct line of artificial light sources, e.g. lamps or uplighters.
2. Do not place the sensor in direct sunlight.

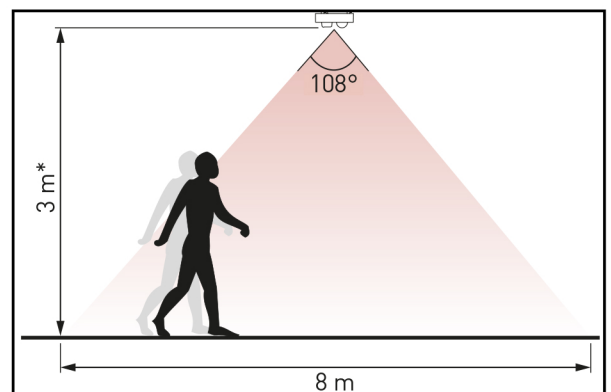


Light Sensor - For constant light functions



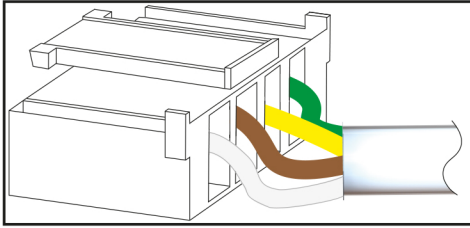
*Max recommended height 3 m

Presence Detector - Passive infrared (PIR)



*Max recommended height 4 m

Connector side/rear view



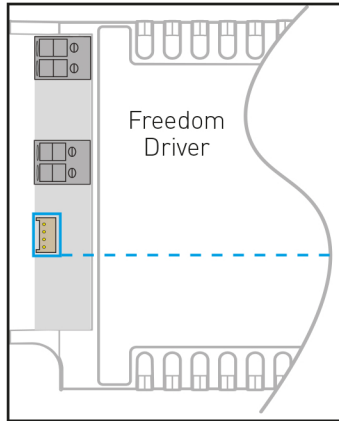
Note: Ensure each connector securely 'clicks' into place when plugged in correctly.

There are two set up scenarios

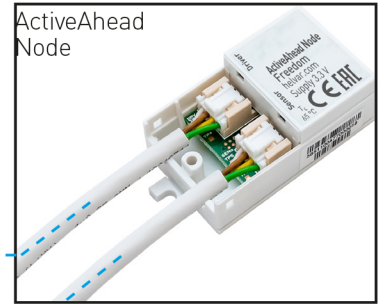
Set Up 'A' - Using Freedom driver and ActiveAhead Node



ActiveAhead Sense



Freedom Driver

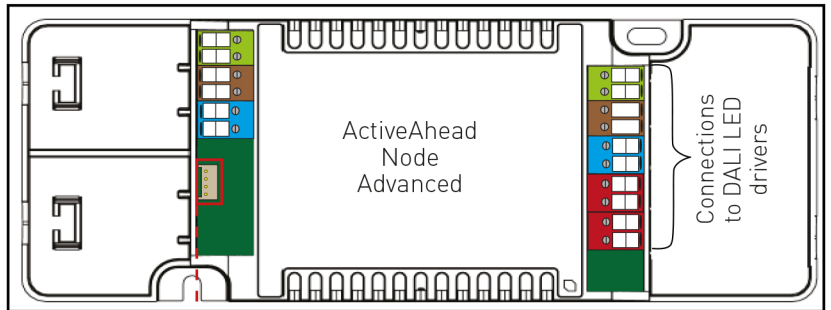


ActiveAhead Node

Set Up 'B' - Using ActiveAhead Node Advanced



ActiveAhead Sense



ActiveAhead Node Advanced

Connections to DALI LED drivers

Mounting

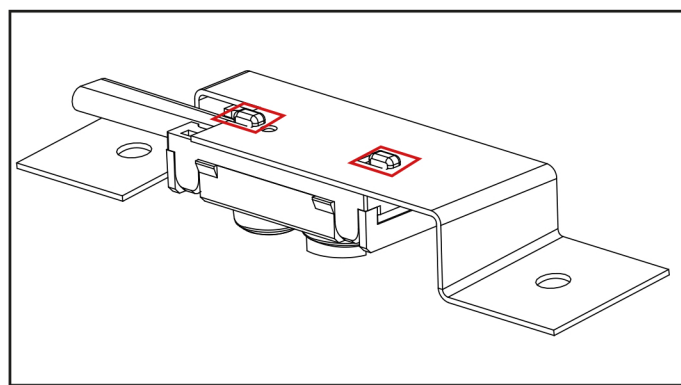
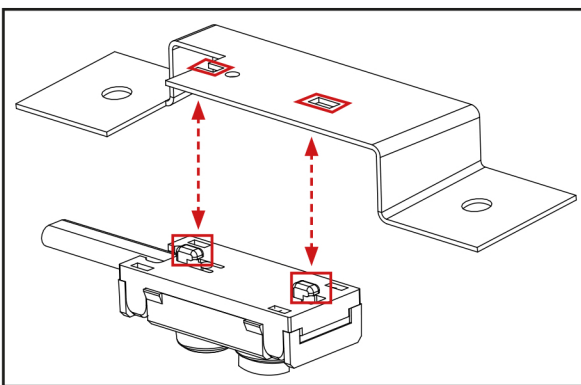
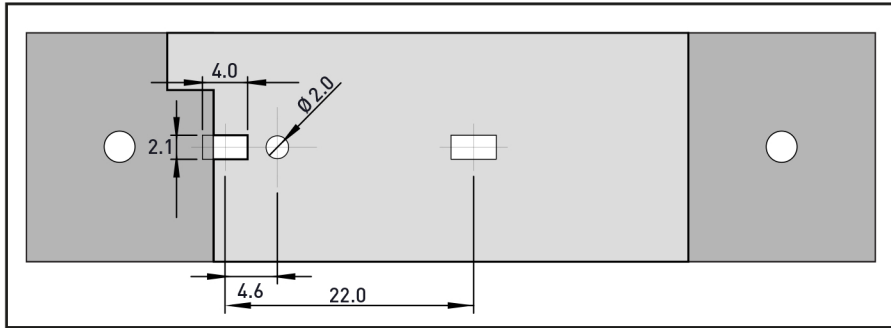
The following figures show two of several possible methods of mounting the ActiveAhead Sense in a luminaire. In both cases, the sensor is mounted to 22 swg (0.7 mm) sheet metal:

- Option 1 uses the mounting features on the rear of the sensor.
- Option 2 uses the mounting features on the long sides of the sensor.

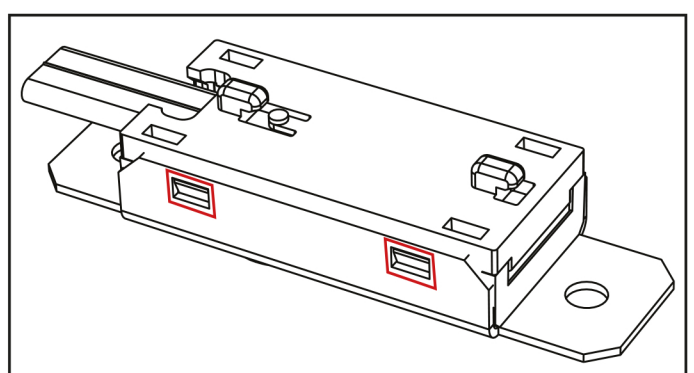
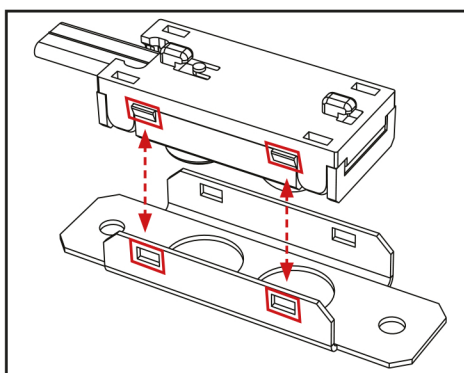
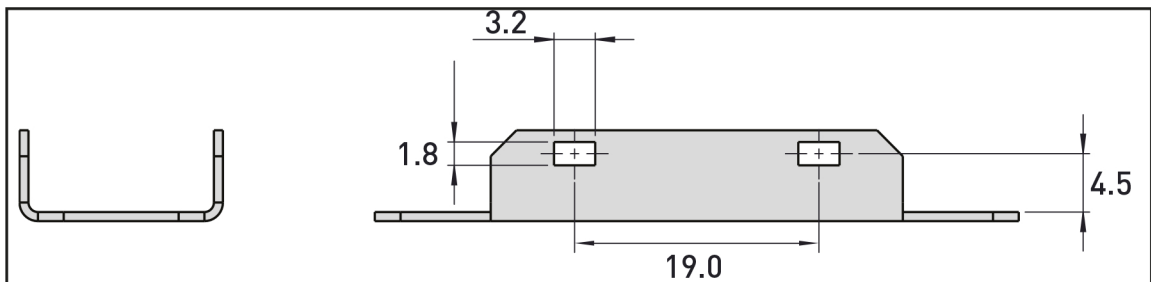
The mounting features can be used to provide customised mounting solutions.

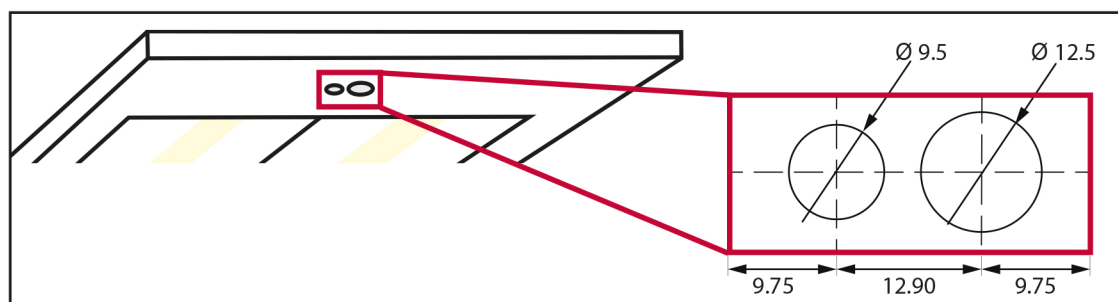
The examples shown are for guidance only. Mounting brackets are not supplied. All dimensions are in millimetres.

Option 1



Option 2





Note: Sensor holders are available to be used with the ActiveAhead Sense:

5691 - ActiveAhead Sense Rectangular Sensor holder

5692 - ActiveAhead Sense Circular Sensor holder

Technical Data

Connections

ActiveAhead: Flexible cable terminated with a four-way, 2 mm locking connector.
Note: If the sensor is connected to non-SELV control gear, the luminaire must be Class I.

Mechanical data

Dimensions: 32.4 mm × 15.5 mm × 18 mm
 Material (casing): Fire-retardant PC/ABS blend.
 Colour: White (RAL 9003)
 Black (RAL 7016)
 IP code: IP30
 Weight: 22 g

Operating conditions

Ambient temperature: -20 °C to +50 °C
Note: The temperature difference between the detection target and the background must be at least 4 °C.
 Relative humidity: Max. 85 %, noncondensing
 Storage temperature: -20 °C to +70 °C
 Illuminance: 5 lx to 5000 lx

Conformity and standards

EMC emission: EN 55015
 EMC immunity: EN 61547
 Safety: EN 61347-2-11
 Environment: Complies with RoHS directive.

Cable Information

Order Code: 5630-30 Length: 30 cm, Colour: White
 Order Code: 5630 Length: 80 cm, Colour: White
 Order Code: 5630B Length: 80 cm, Colour: Black
 Order Code: 5630-150 Length: 150 cm, Colour: White